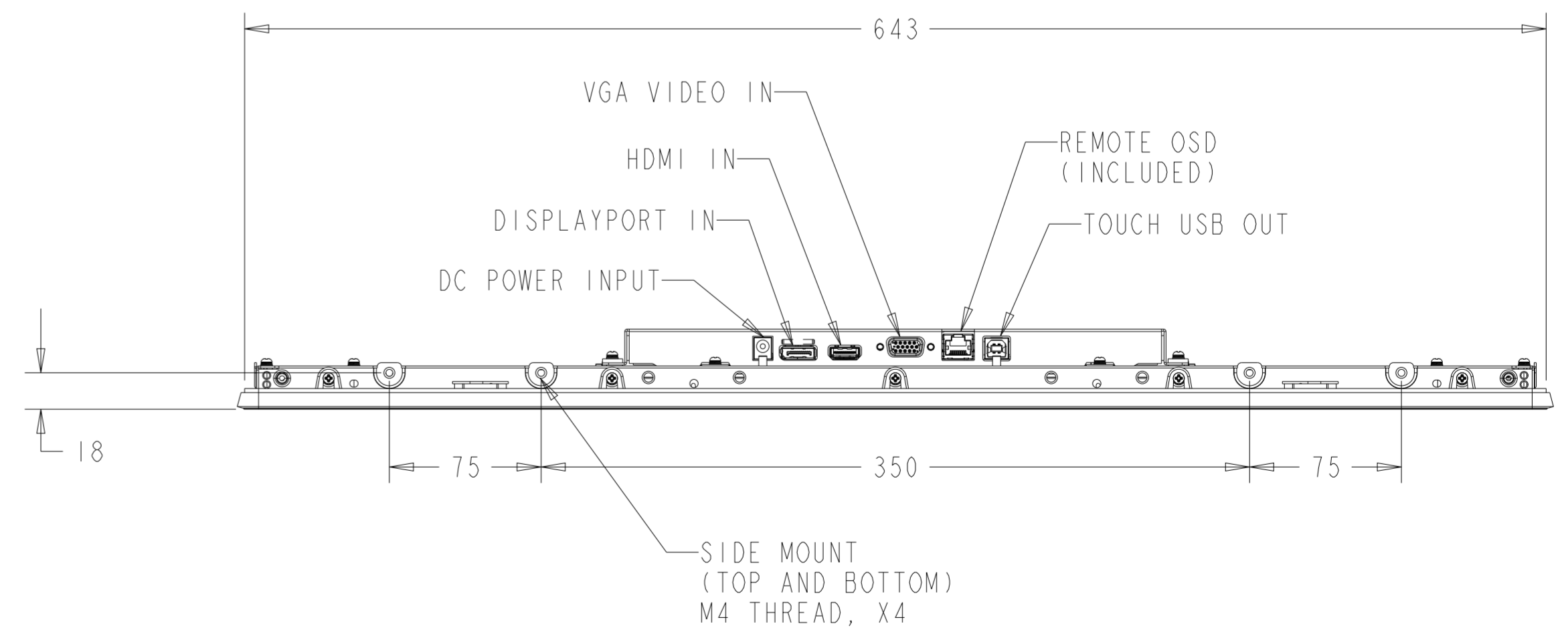
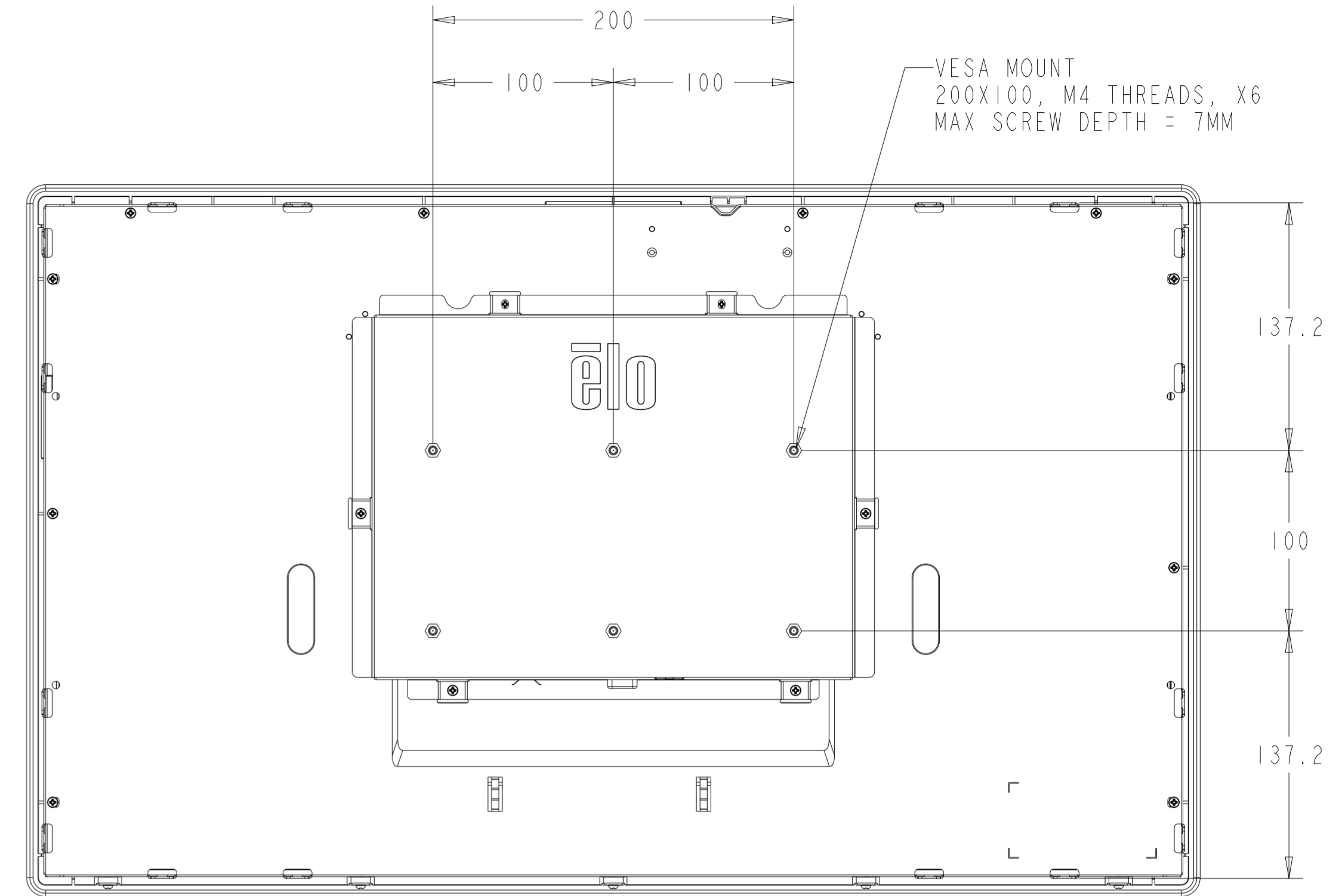
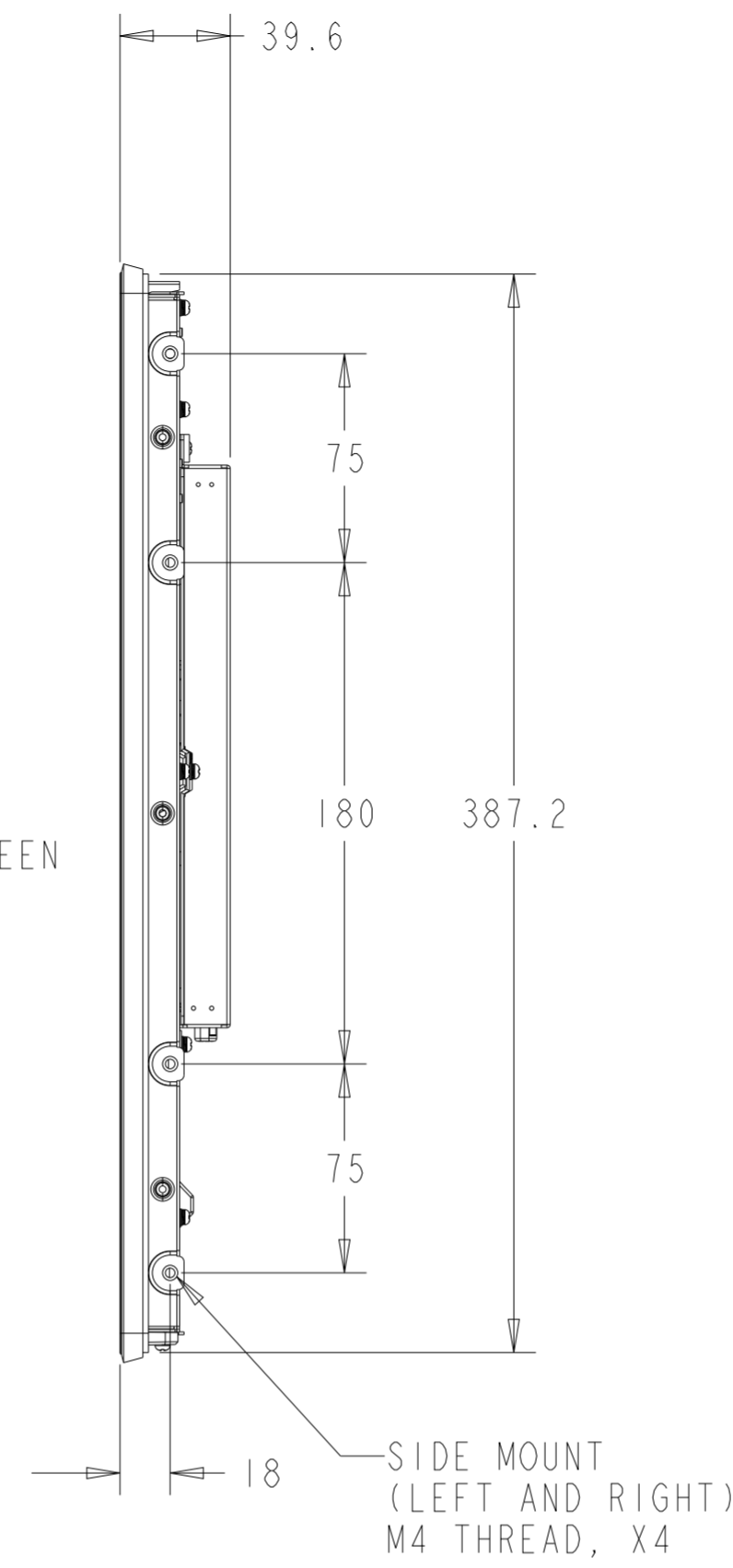
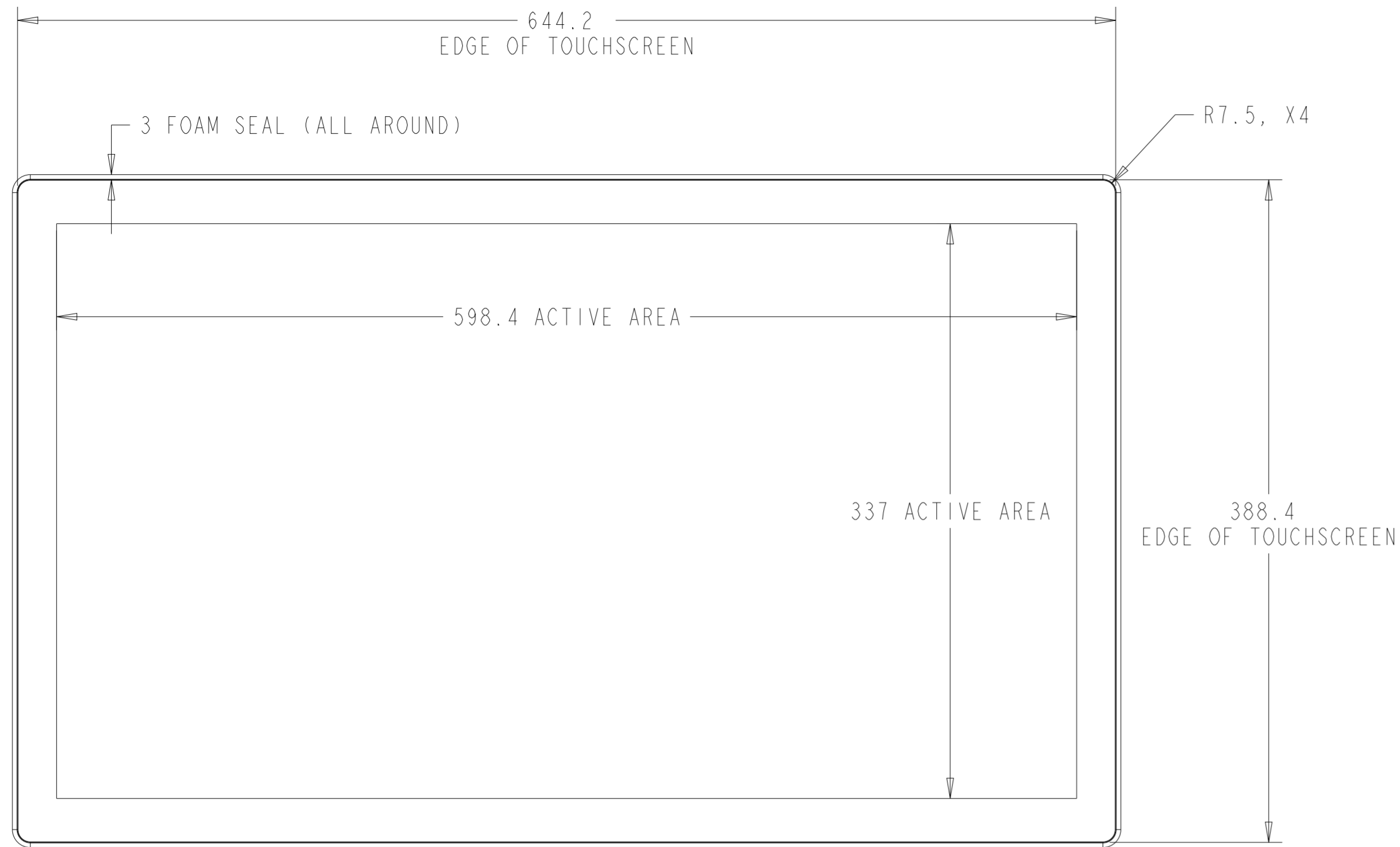
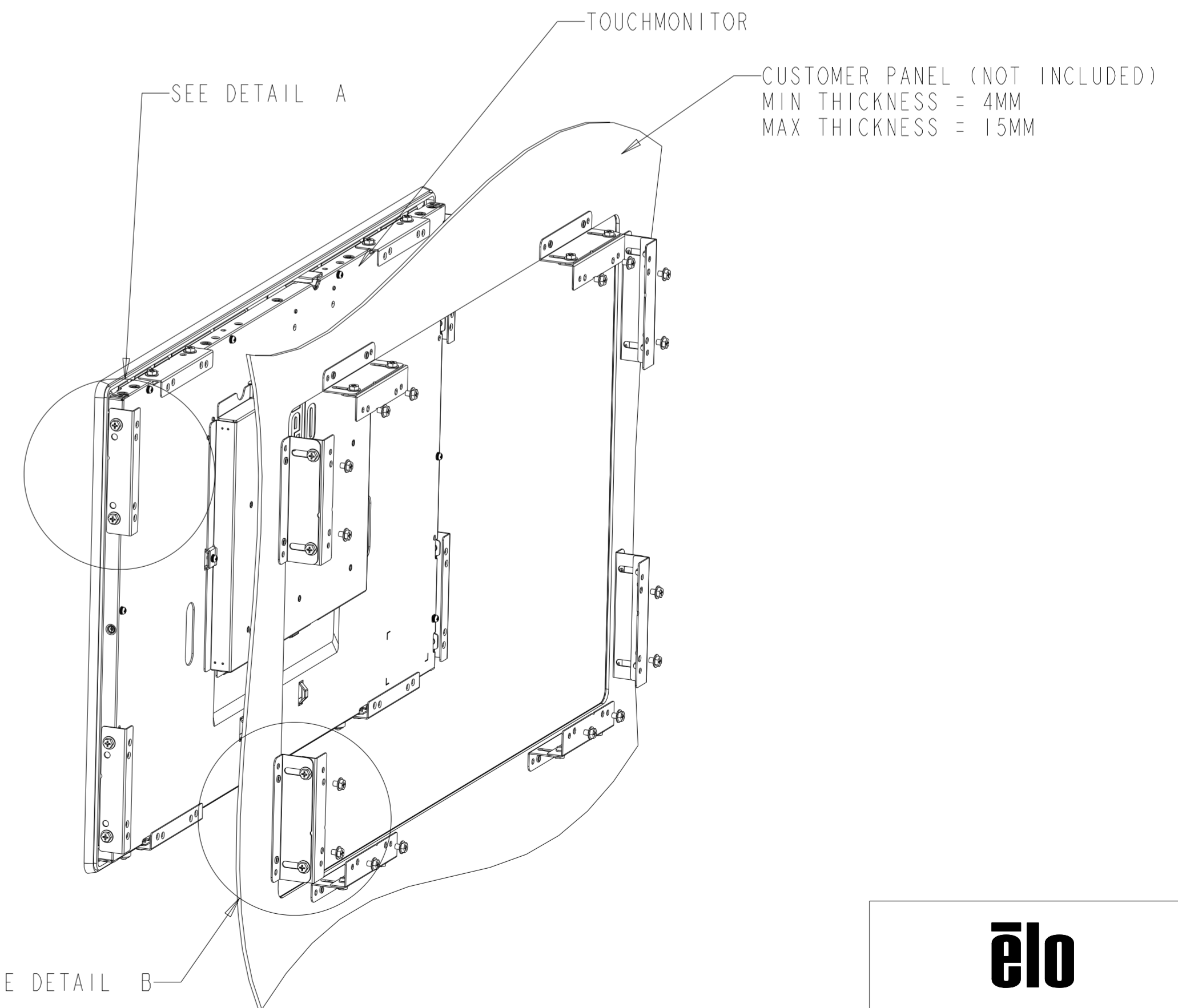
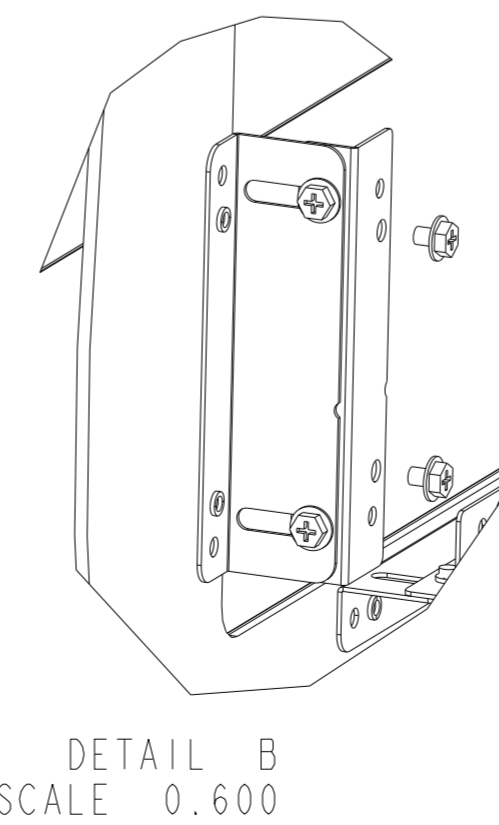
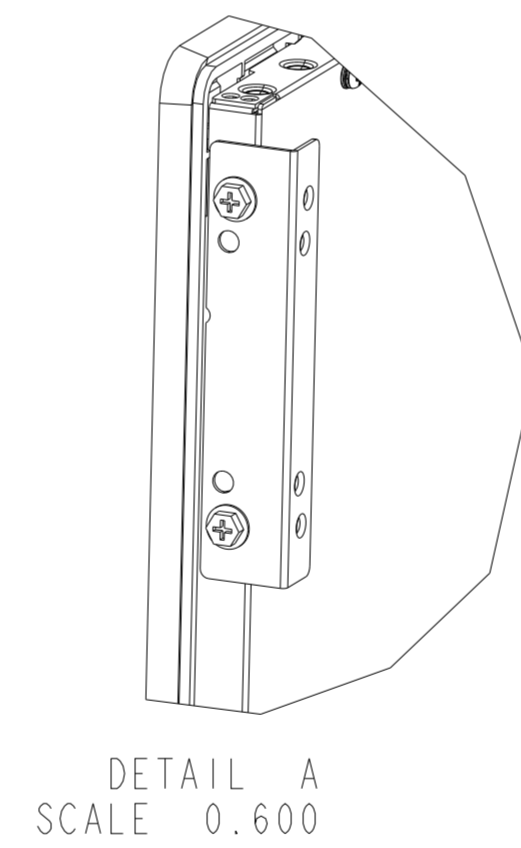
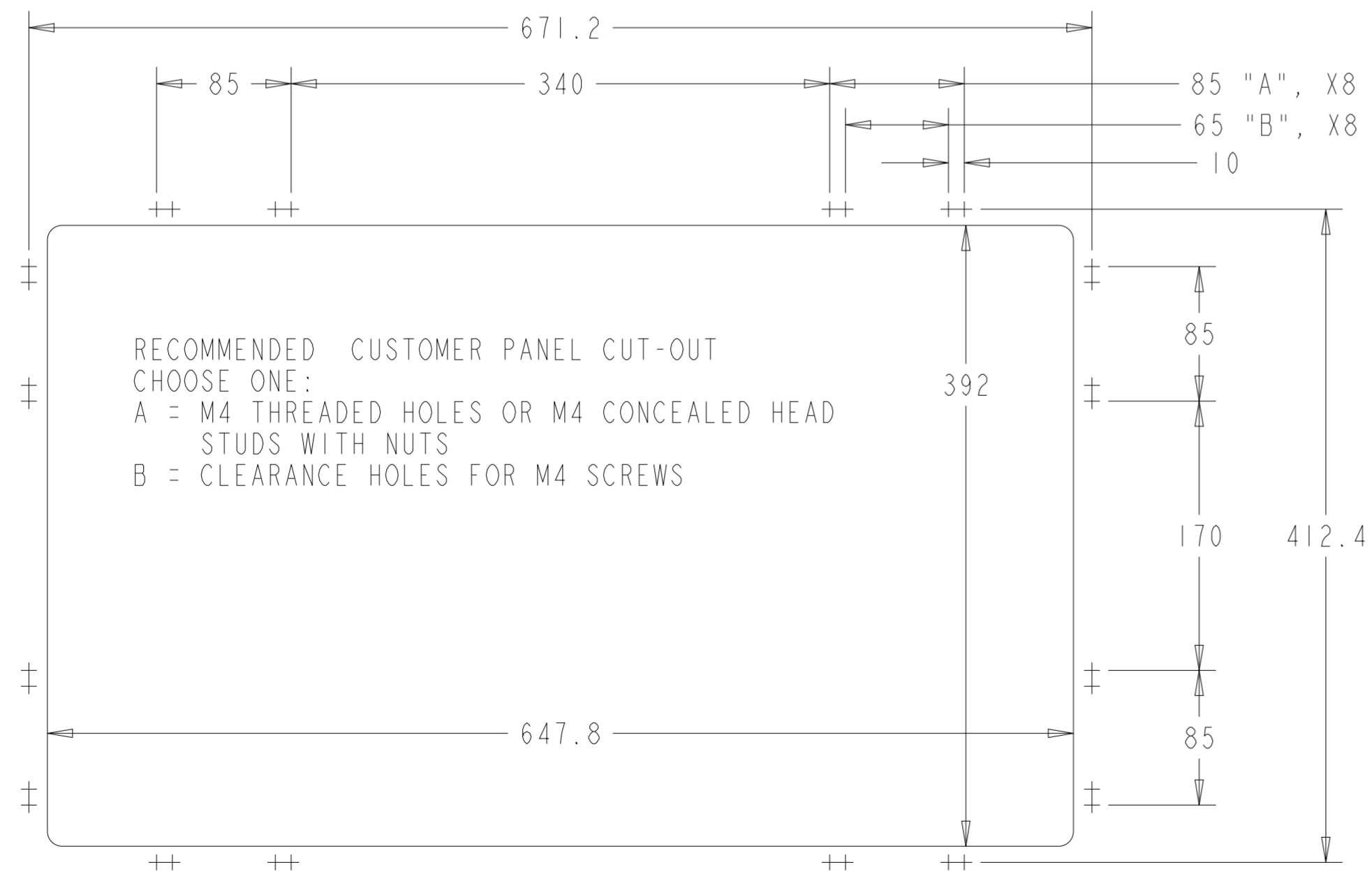
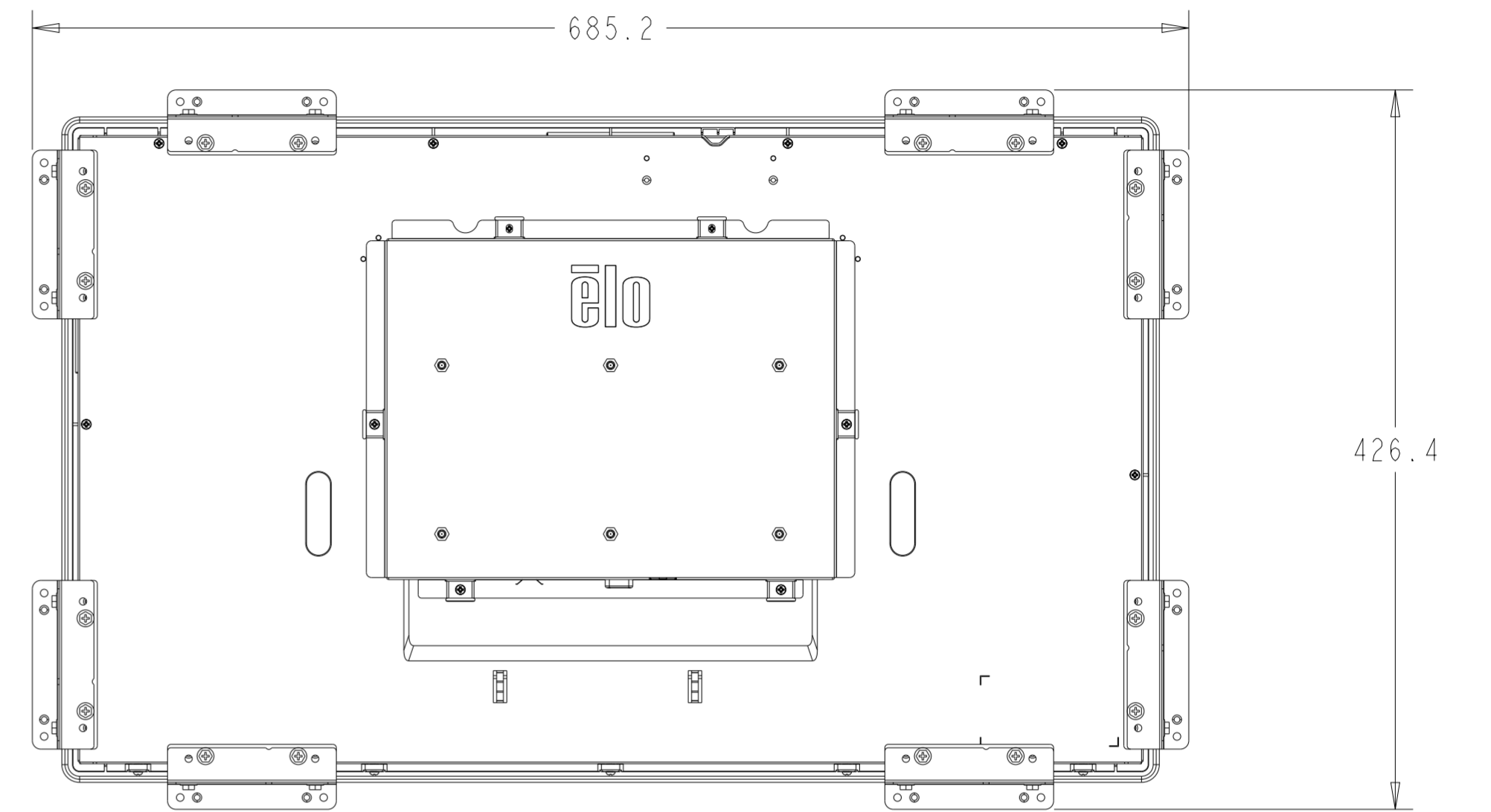
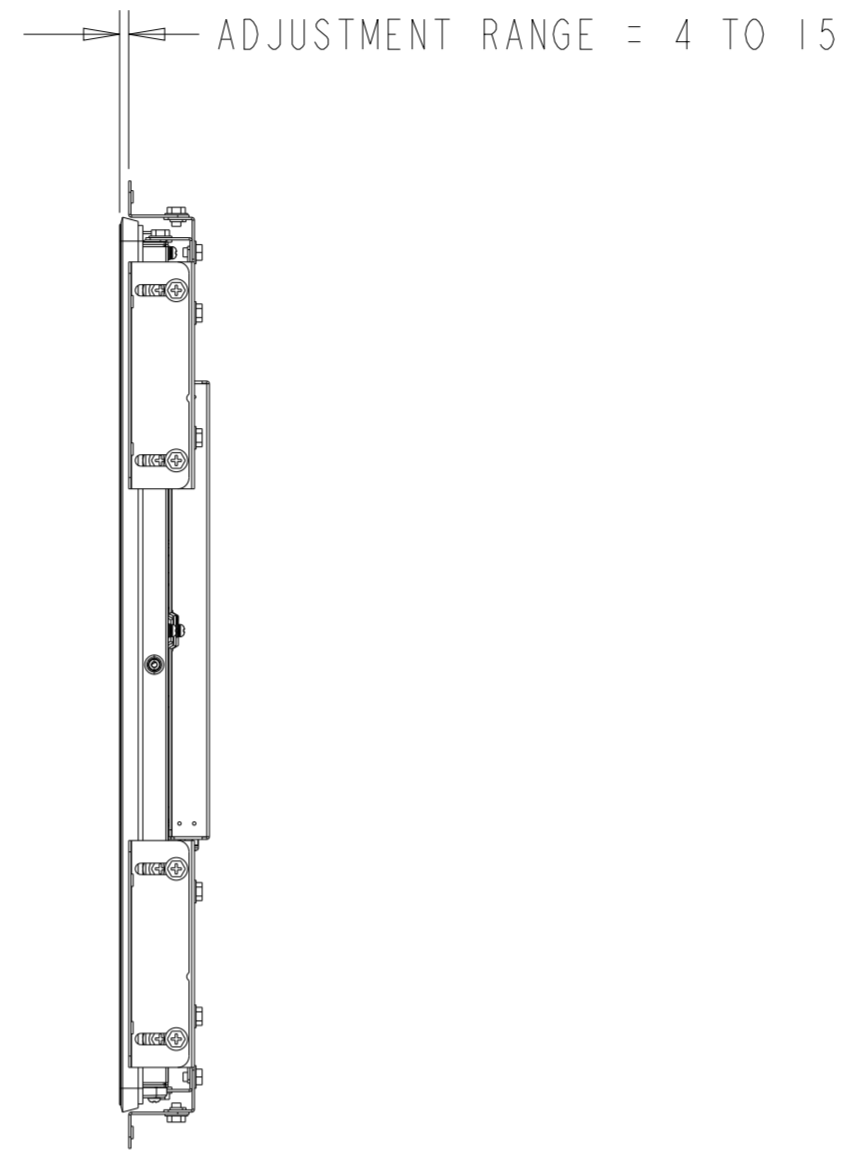
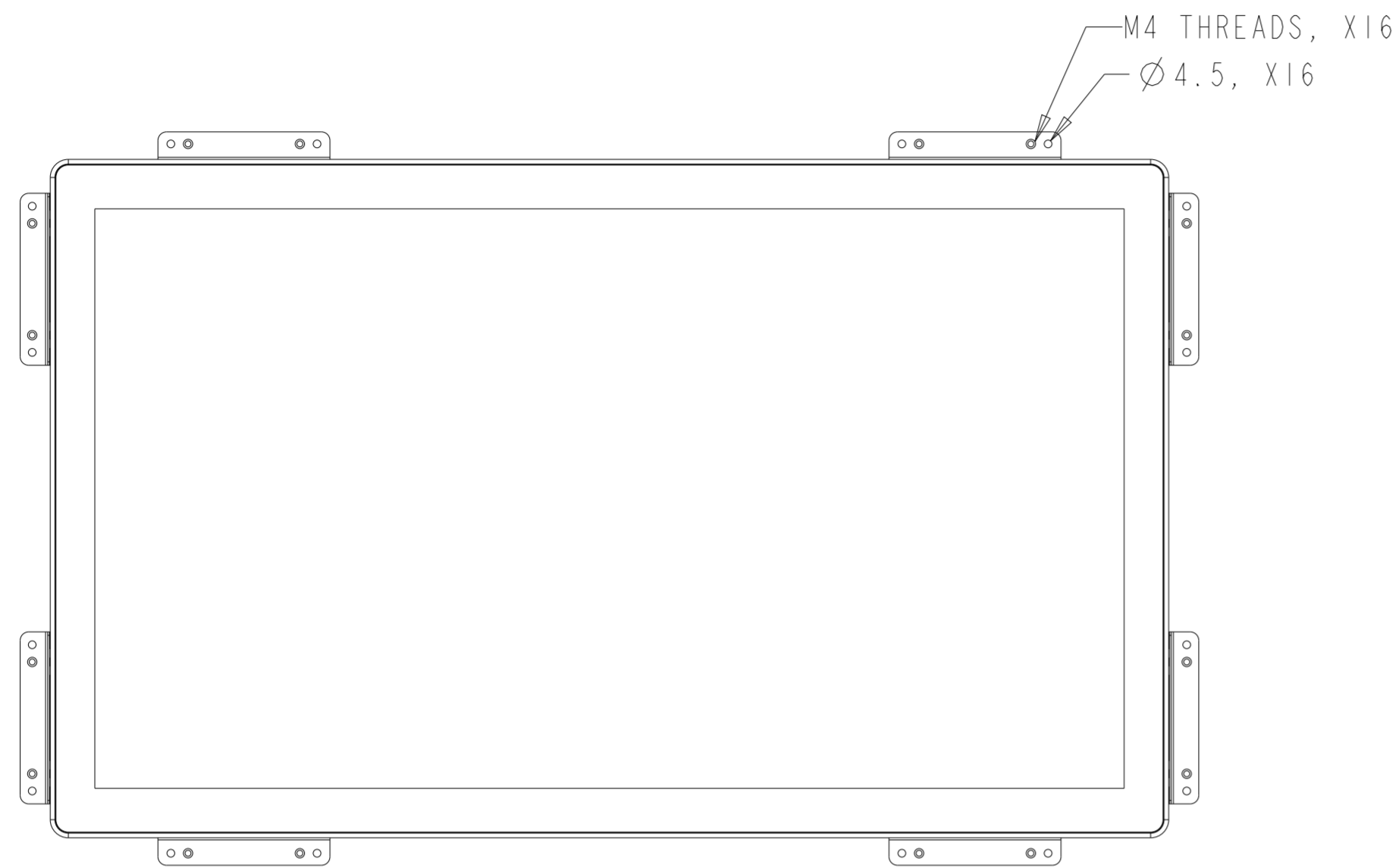


PROJECTED CAPACITIVE AND NON-TOUCH MODEL

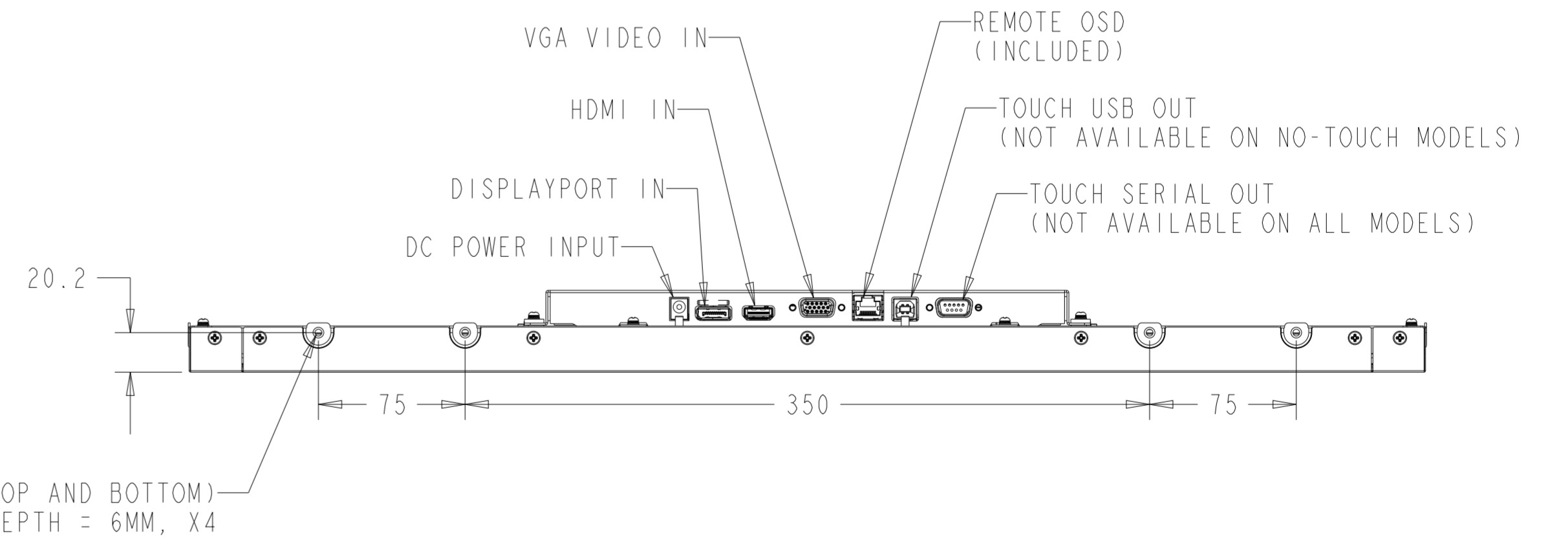
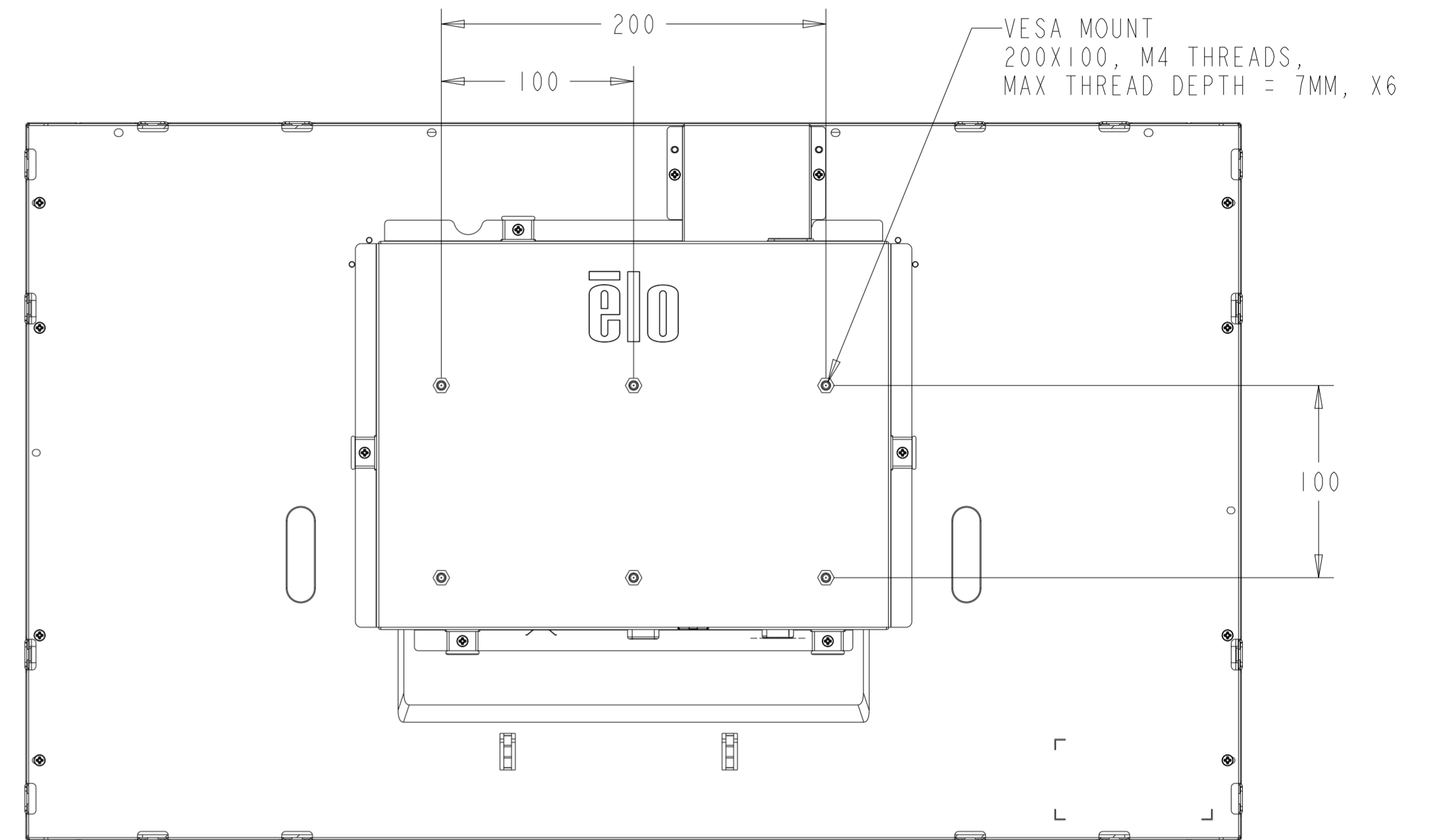
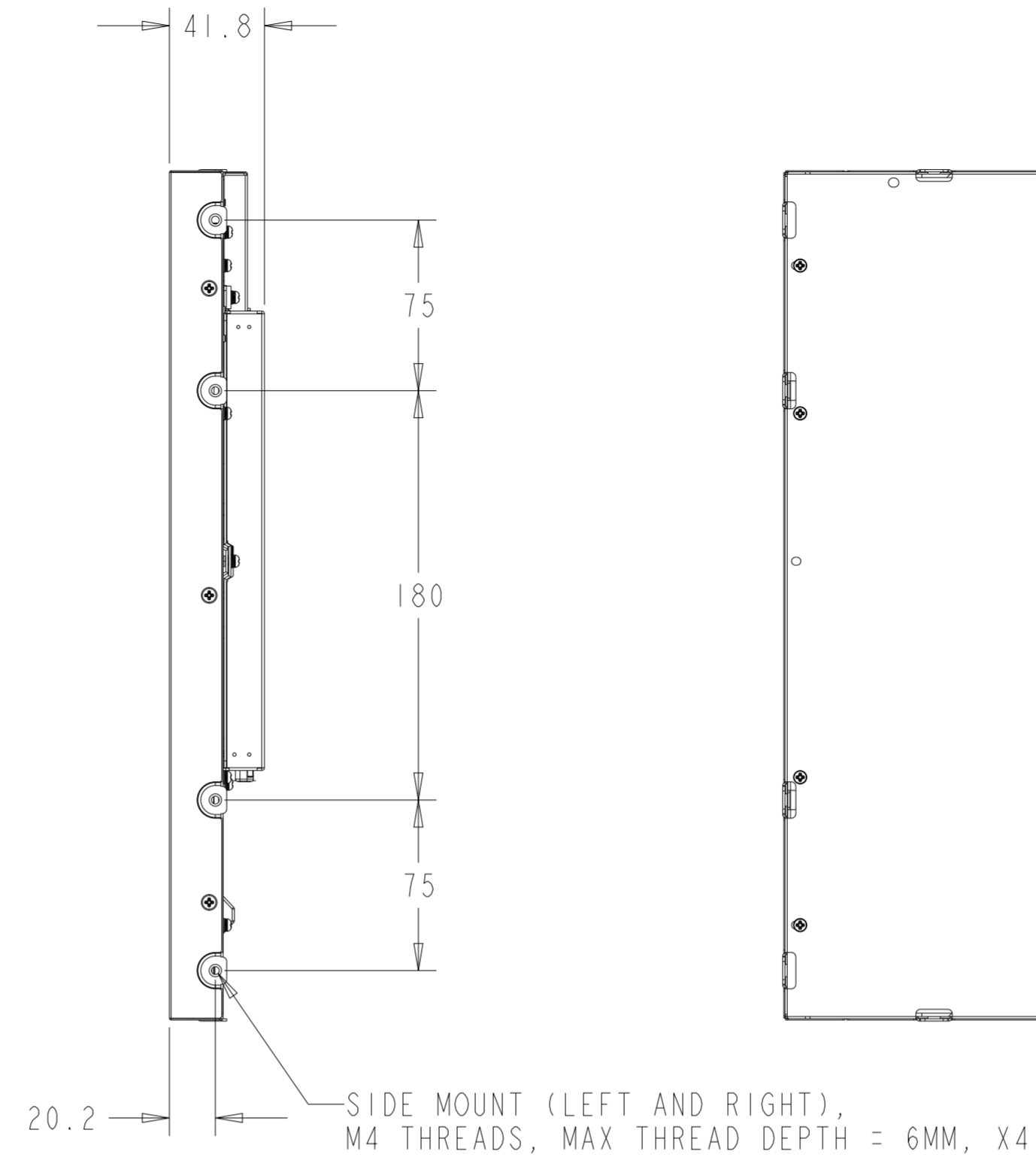
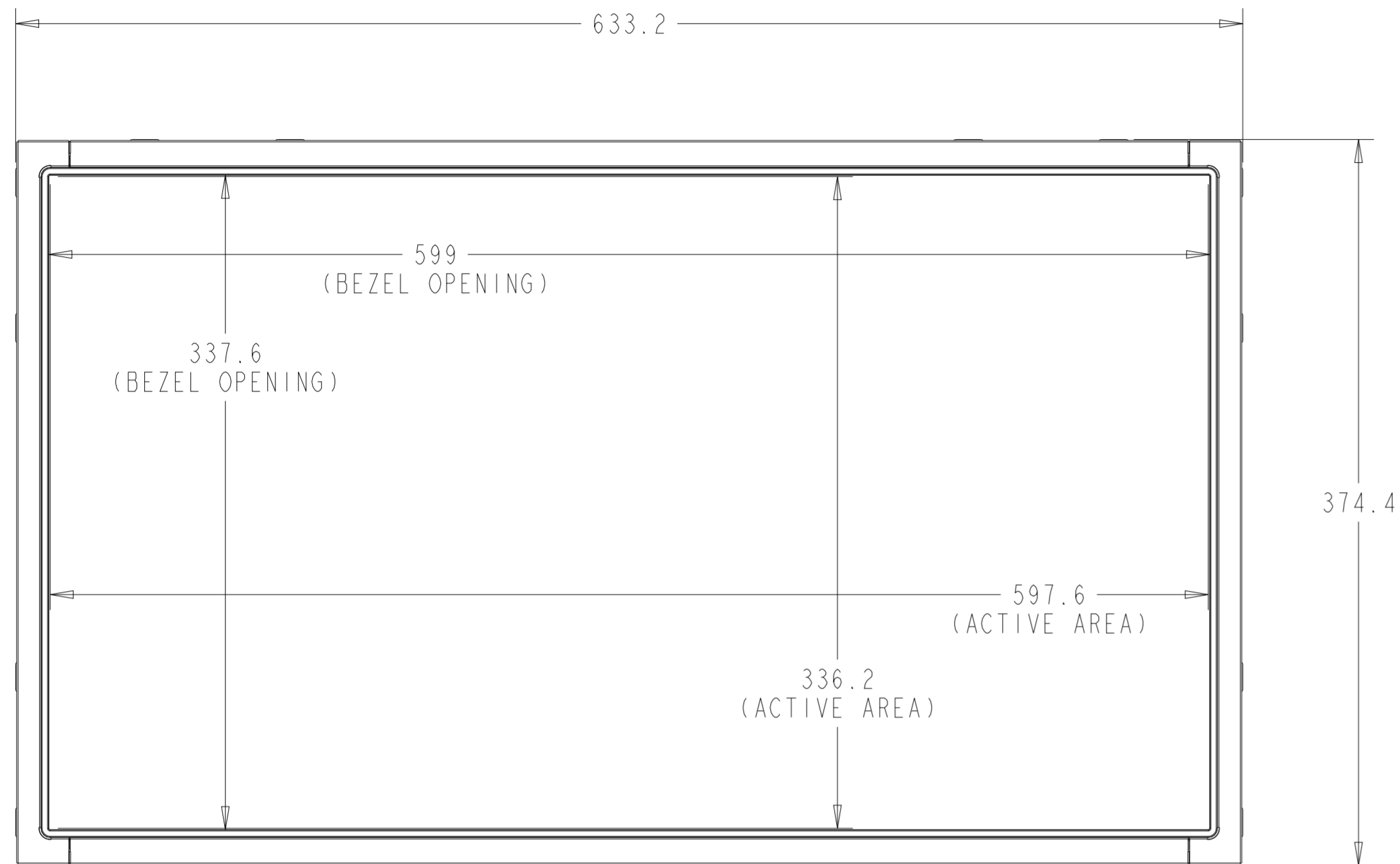


PROJECTED CAPACITIVE AND NON-TOUCH MODEL

WITH FLUSH MOUNTING BRACKETS (8 SETS INCLUDED)  
 REPLACEMENT BRACKET KIT P/N EI90896 AVAILABLE SEPARATELY

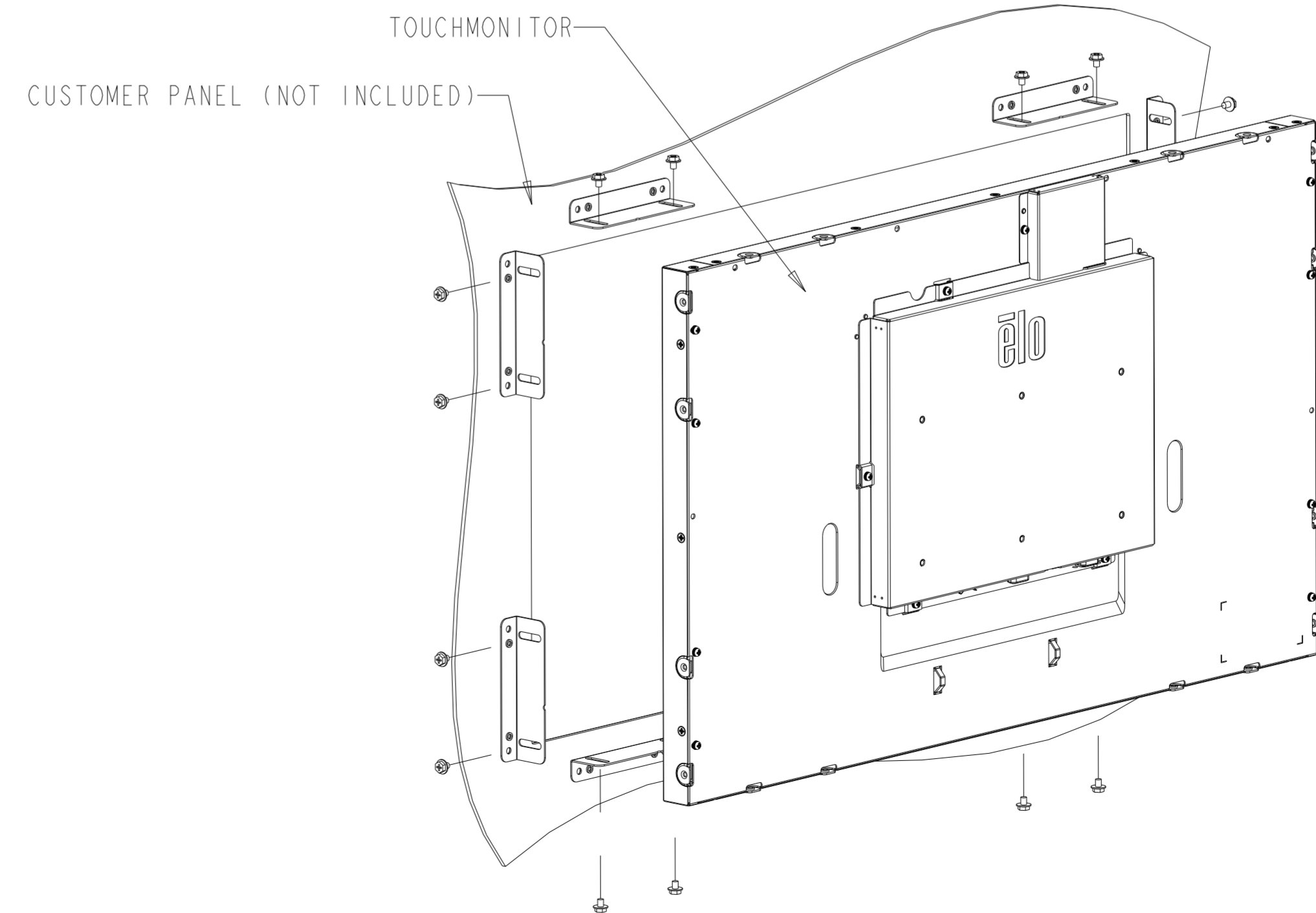
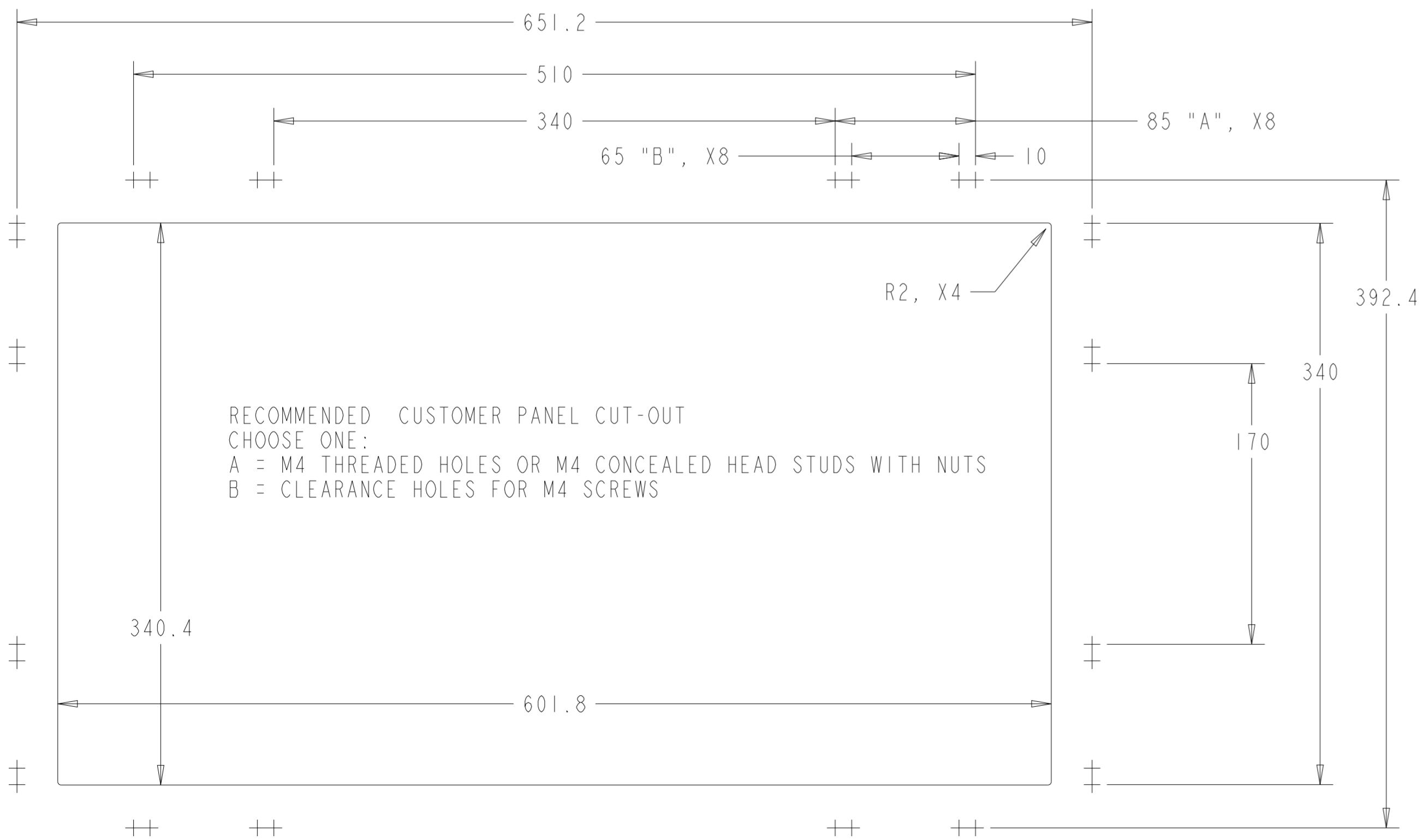
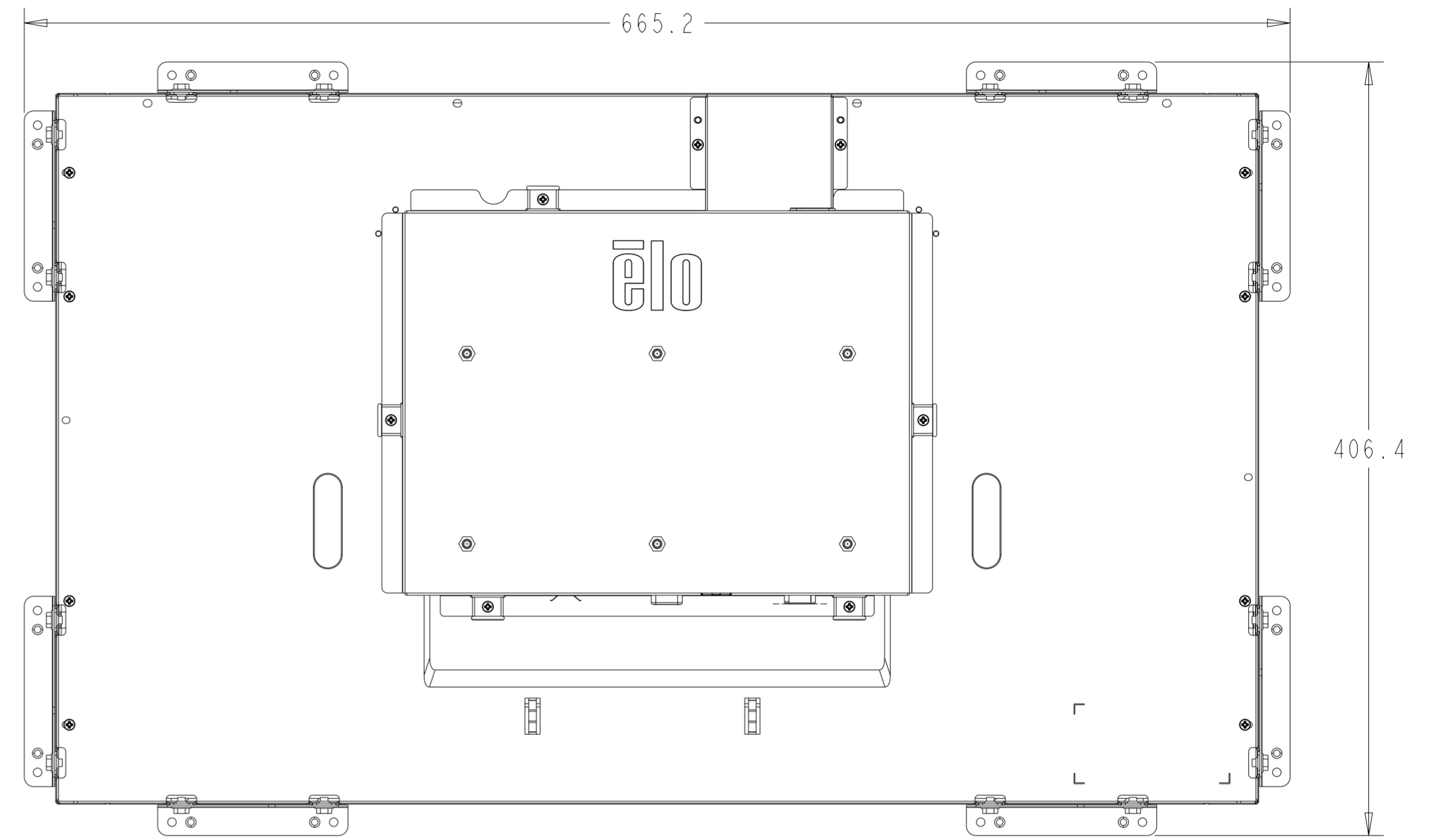
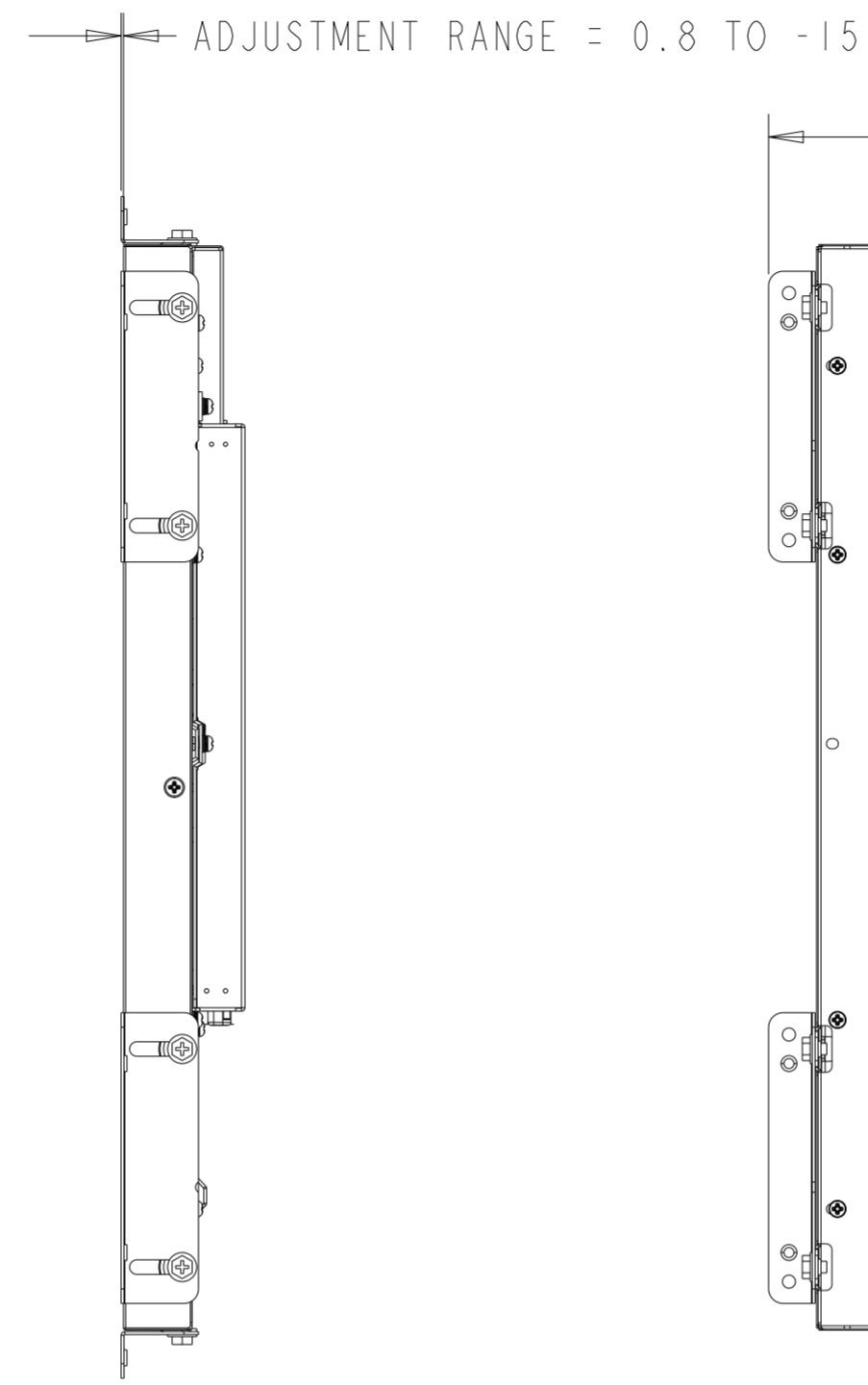
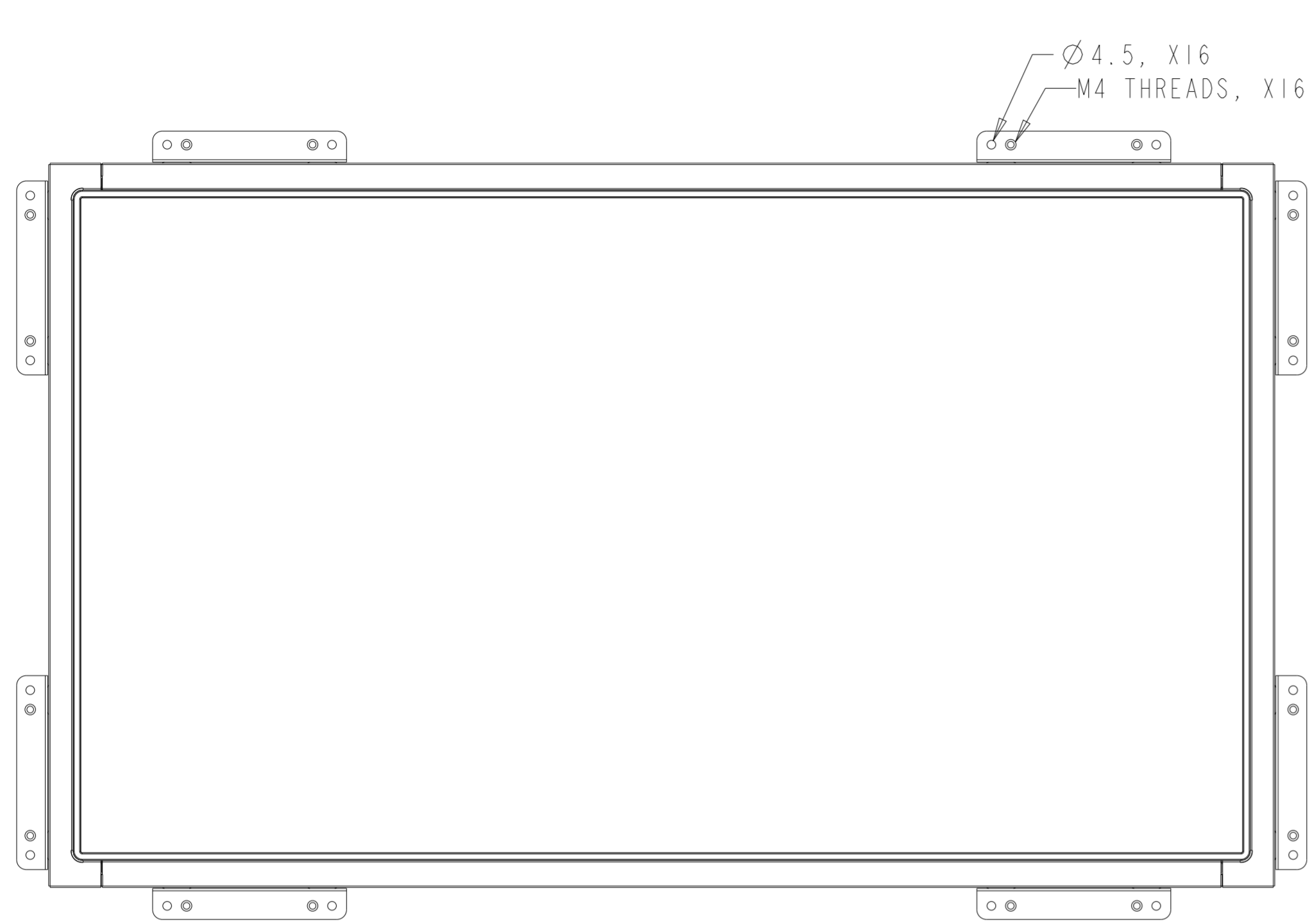


INTELLITOUCH, ACCUTOUCH, AND SECURETOUCH MODEL

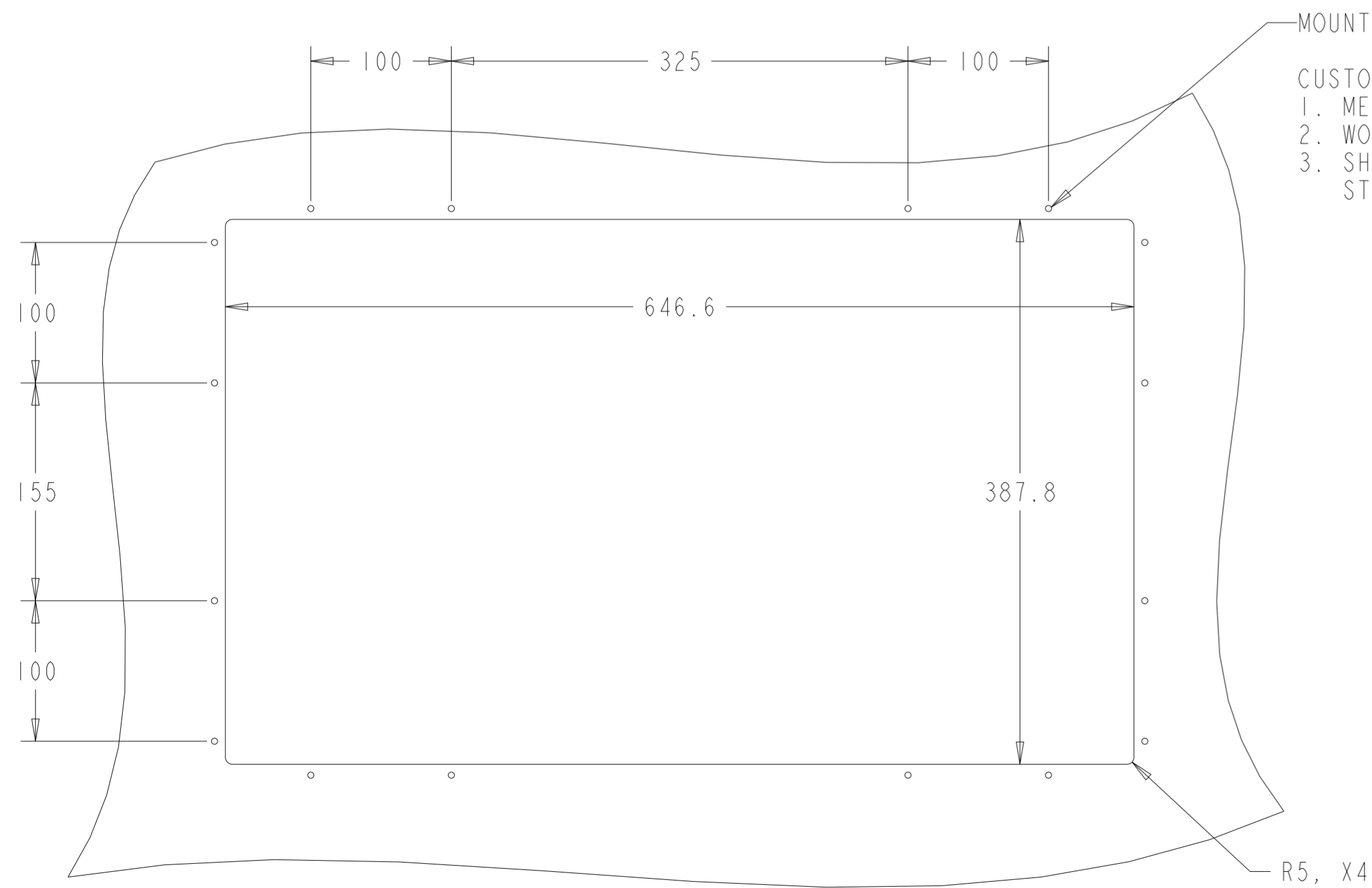
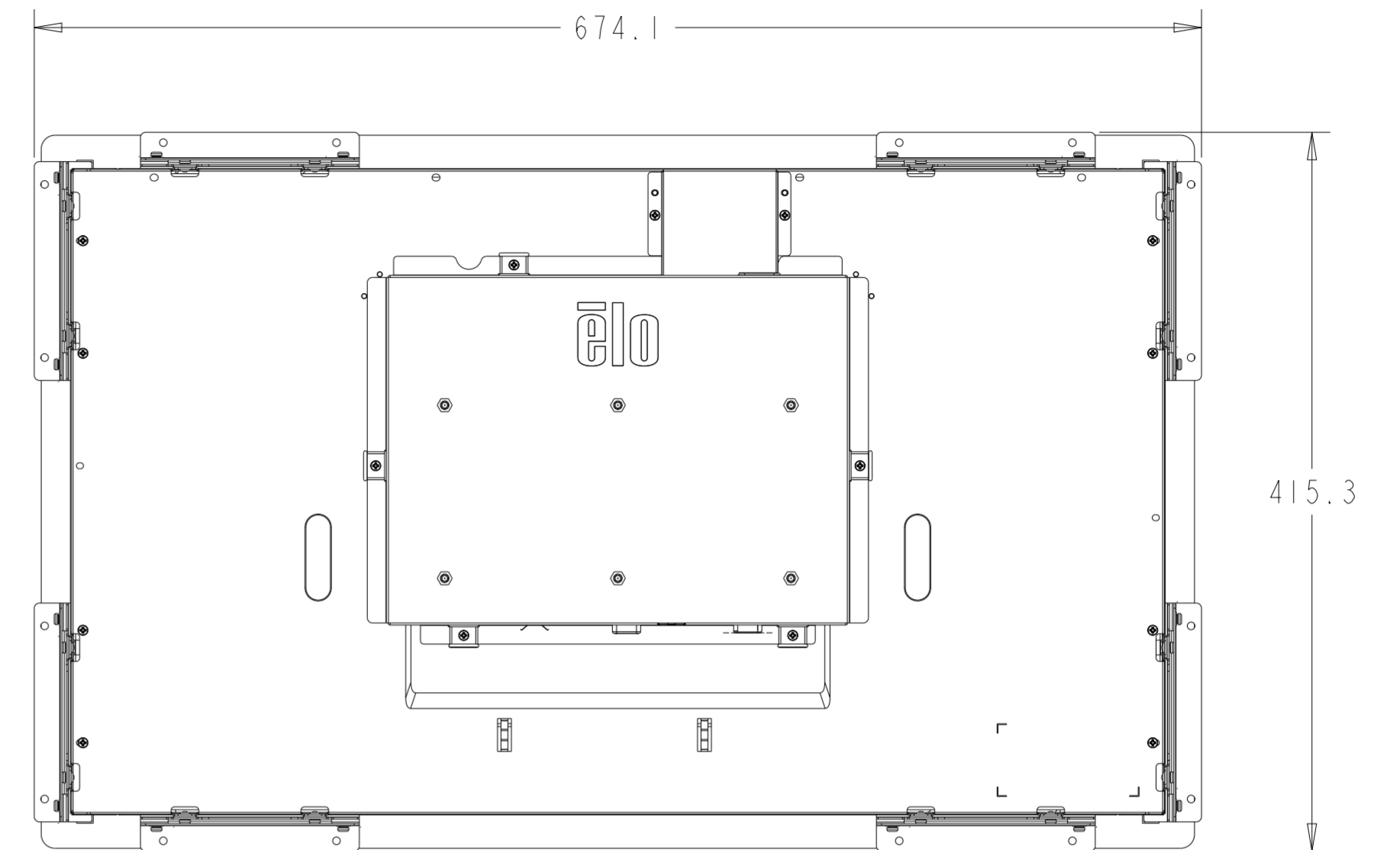
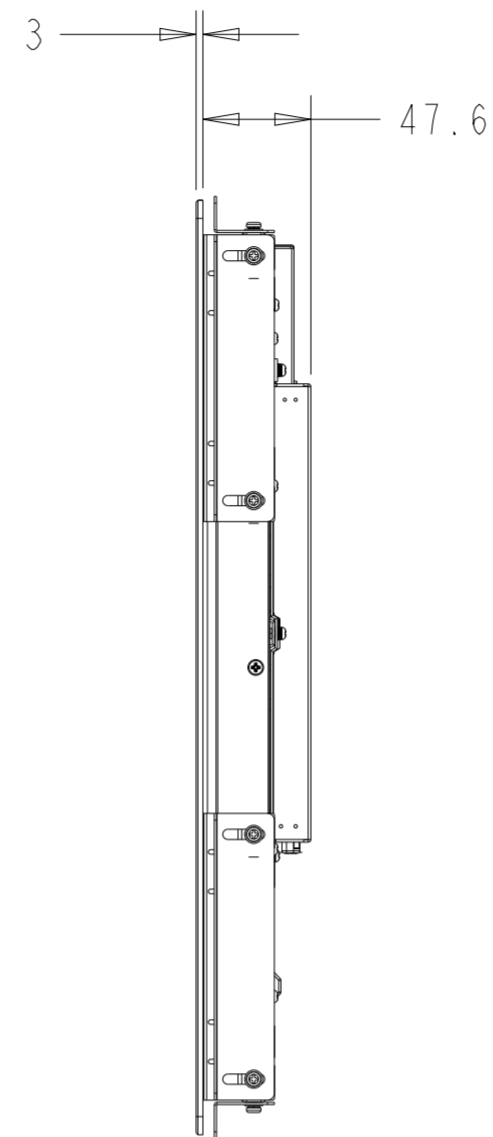
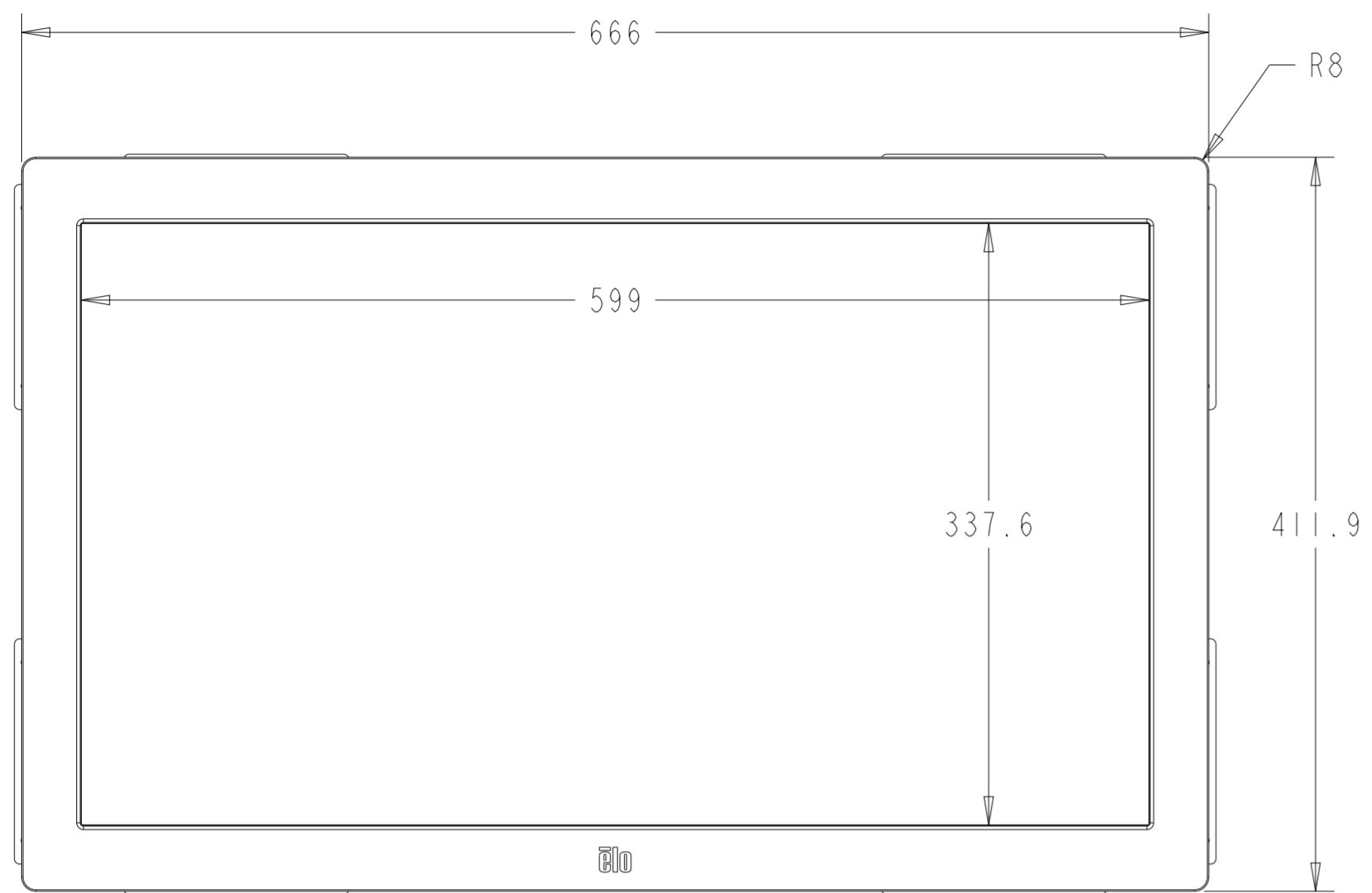


INTELLITOUCH, ACCUTOUCH, AND SECURETOUCH MODEL

WITH SIDE MOUNTING BRACKETS (8 INCLUDED)  
 REPLACEMENT BRACKET KIT P/N E646994 AVAILABLE SEPARATELY

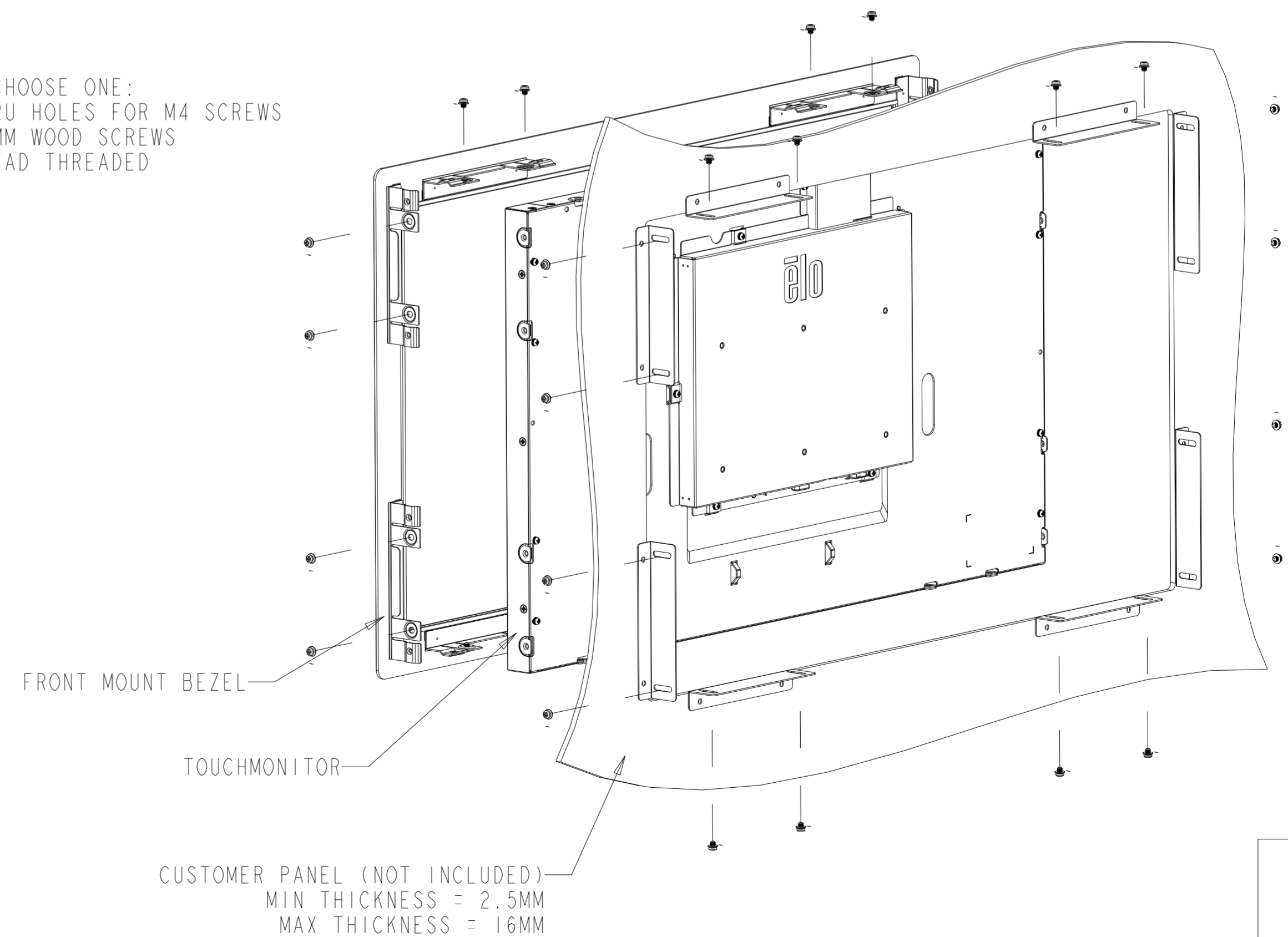


OPTIONAL FRONT MOUNT BEZEL KIT - P/N E589935  
 FOR INTELLITOUCH, ACCUTOUCH, AND SECURETOUCH MODEL ONLY  
 ORDERED SEPARATELY, CUSTOMER ASSEMBLED



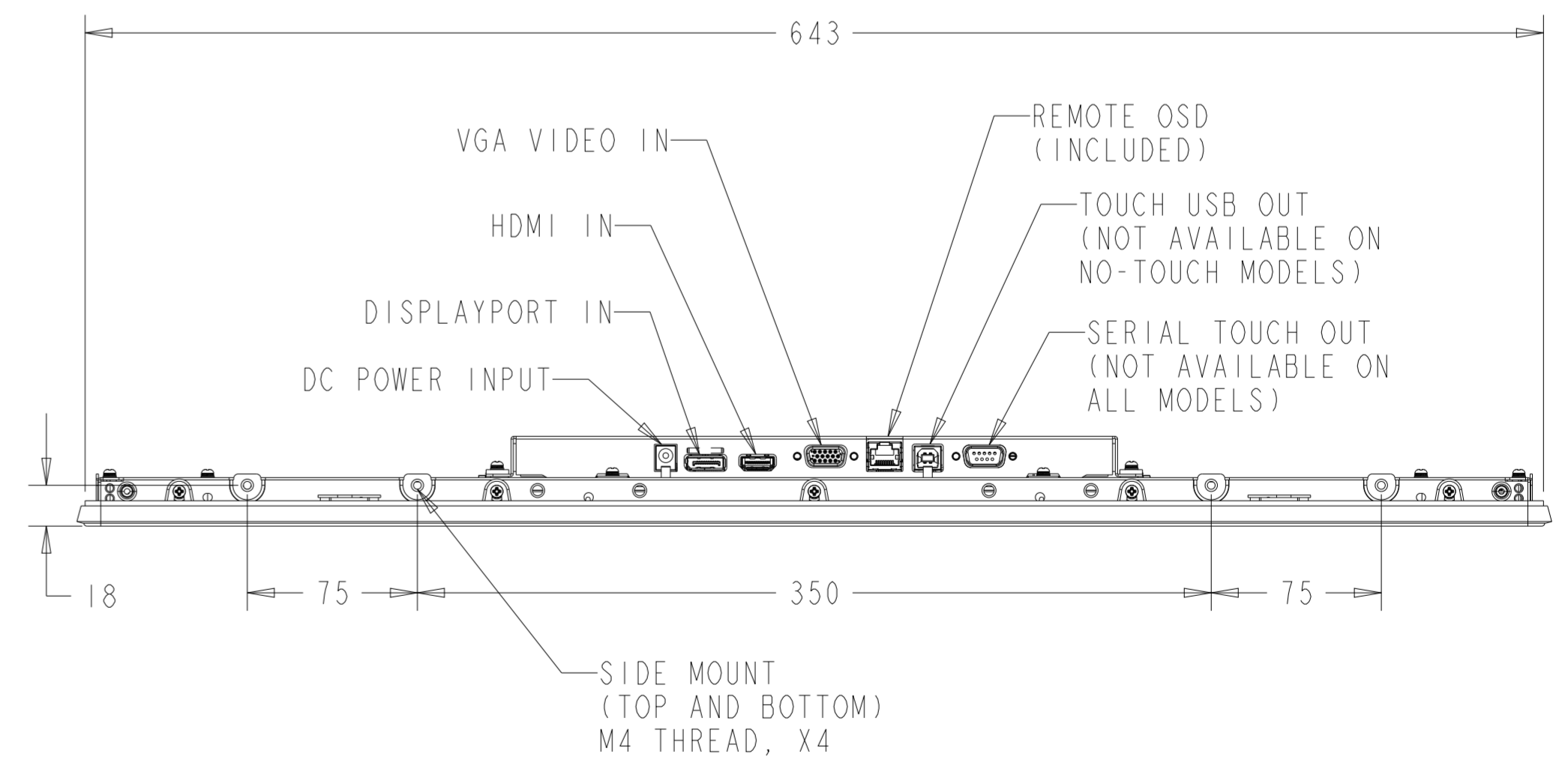
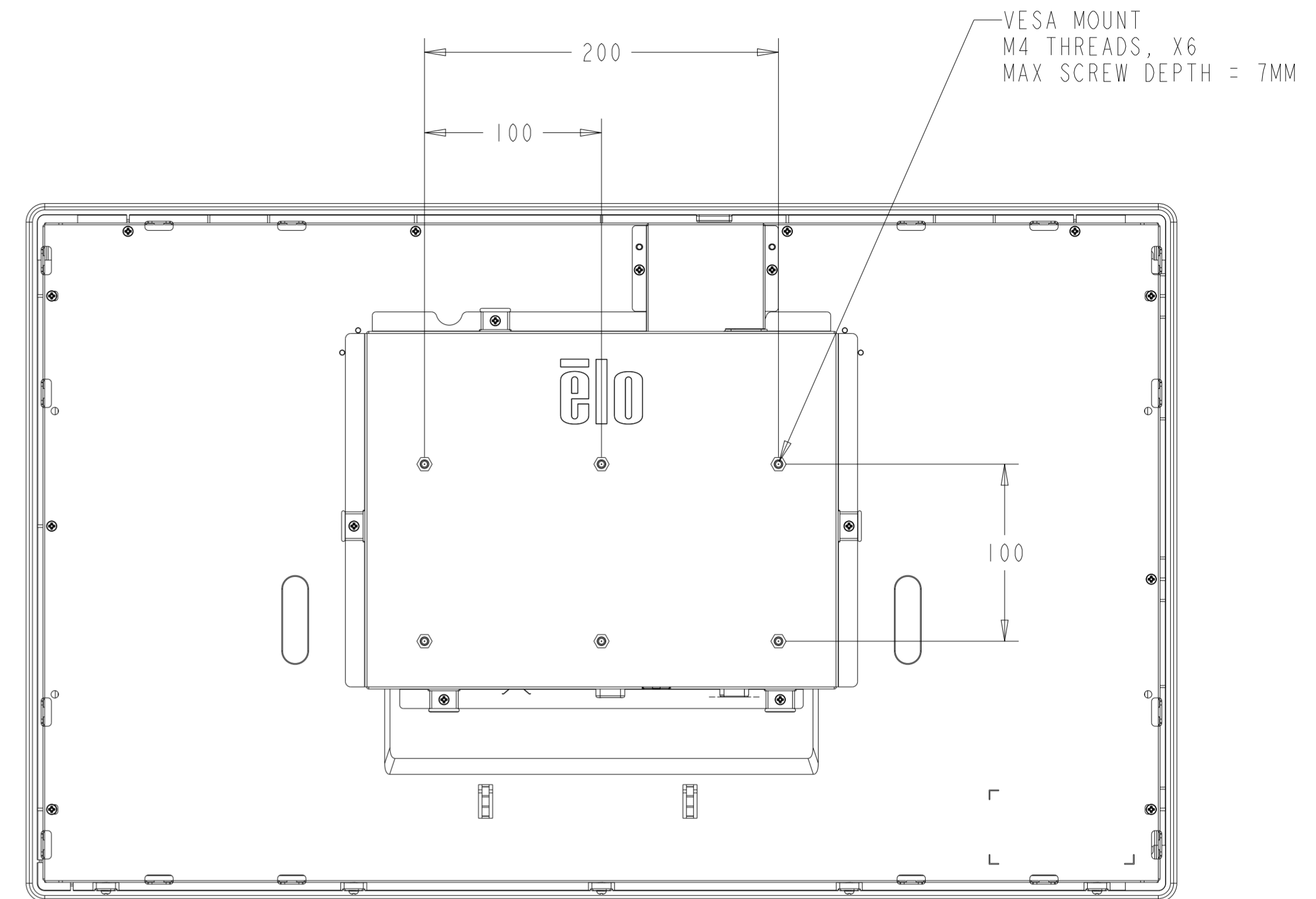
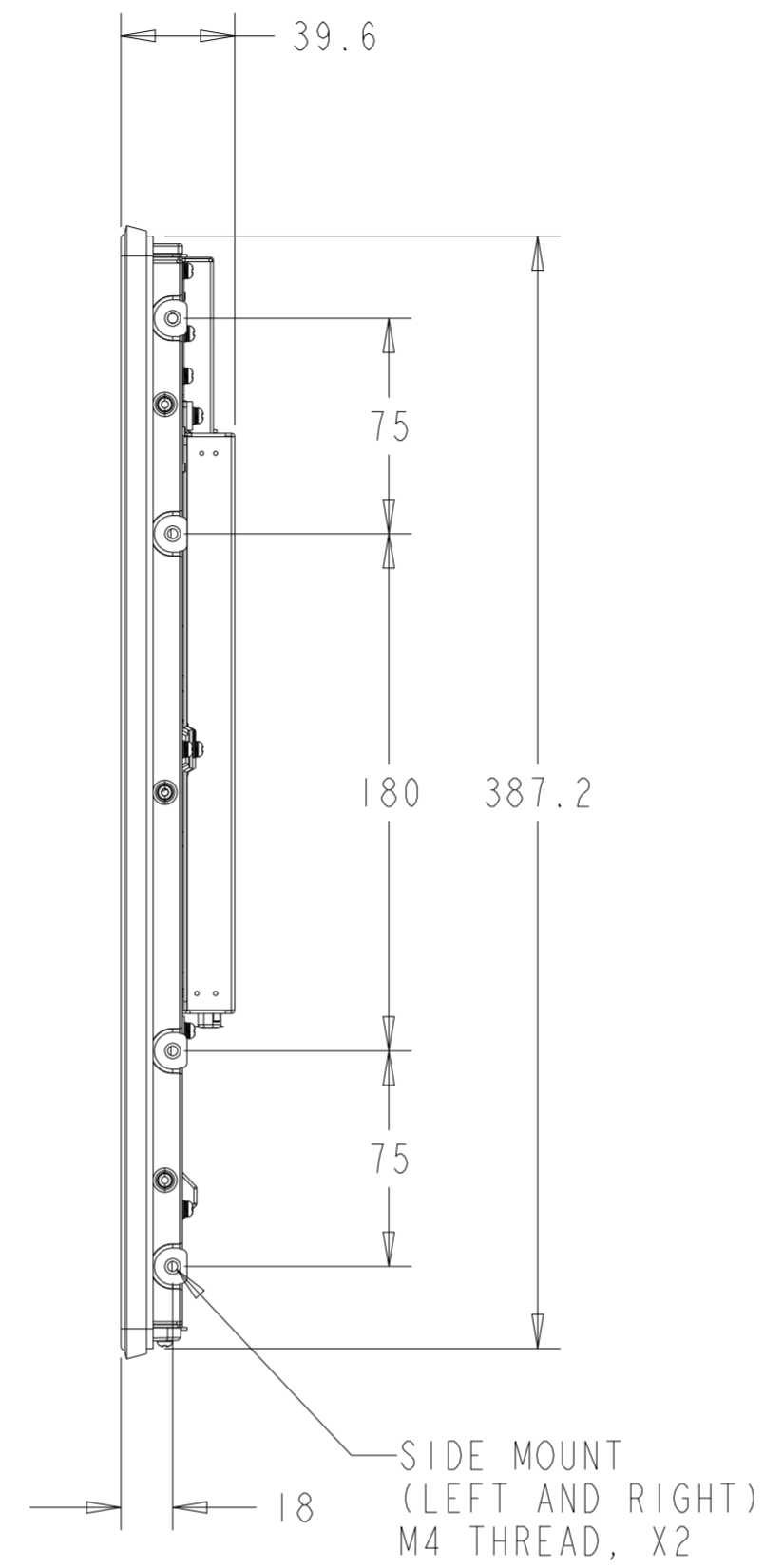
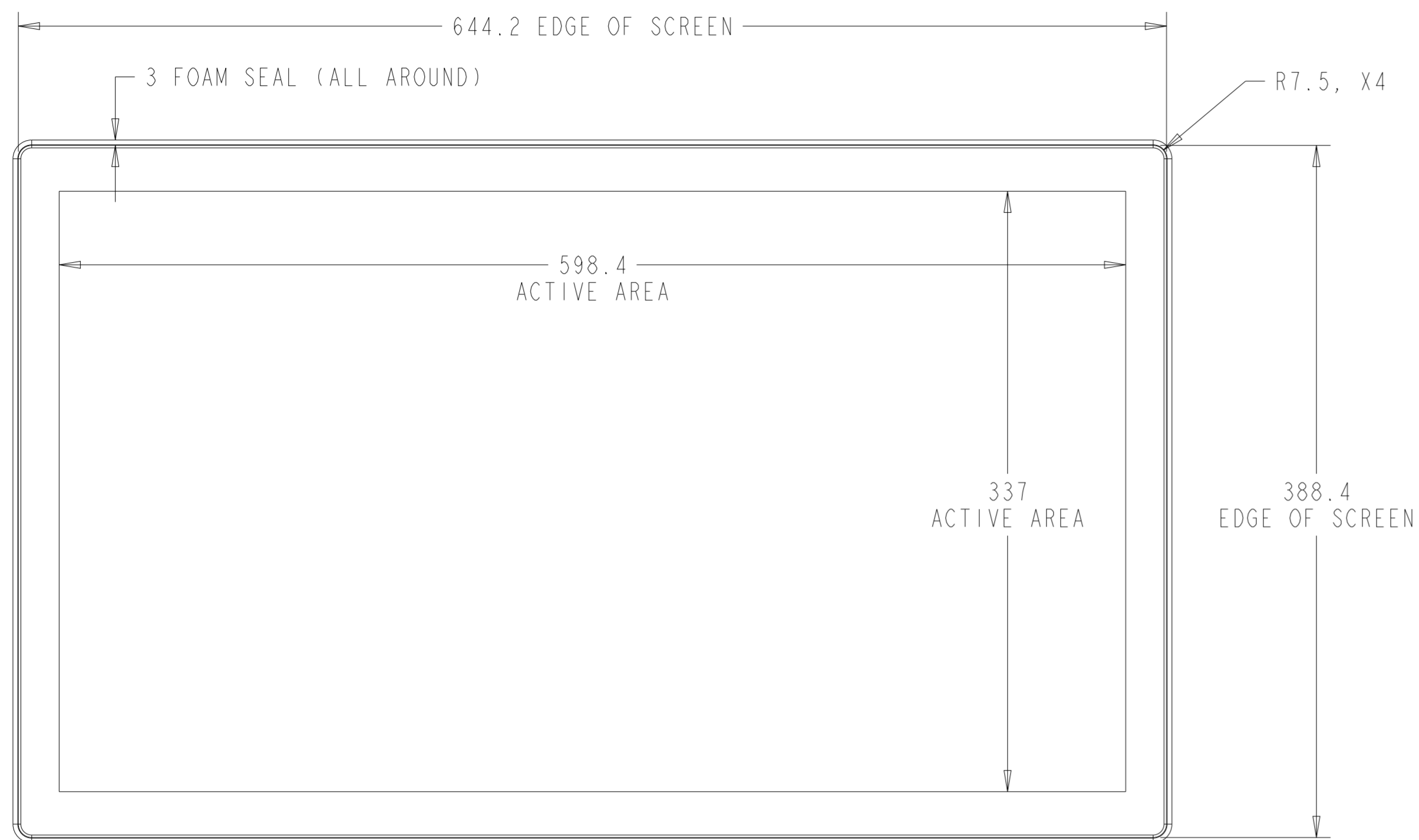
MOUNTING HOLES, X16

- CUSTOMER PANEL MATERIALS, CHOOSE ONE:
1. METAL/PLASTIC: 4.5MM THRU HOLES FOR M4 SCREWS
  2. WOOD: PILOT HOLES FOR 4MM WOOD SCREWS
  3. SHEETMETAL: CONCEALED HEAD THREADED STUDS M4, WITH NUTS



CUSTOMER PANEL (NOT INCLUDED)  
 MIN THICKNESS = 2.5MM  
 MAX THICKNESS = 16MM

ZERO-BEZEL INTELLITOUCH MODEL



ZERO-BEZEL INTELLITOUCH MODEL

WITH FLUSH MOUNTING BRACKETS (8 SETS INCLUDED)  
 REPLACEMENT BRACKET KIT P/N EI90896 AVAILABLE SEPARATELY

