



Replacement Parts Catalog ■ ■ ■



right by our customers. ■ ■ ■



datamax • o'neil

Contents

Printers Assemblies

Short Cover Assembly 1 of 2	2
Short Cover Assembly 2 of 2	3
Tall Cover Assembly 1 of 2	4
Tall Cover Assembly 2 of 2	5
Printer Assembly 1 of 3	6
Printer Assembly 2 of 3	7
Printer Assembly 3 of 3	8
Front Panel Display Assembly	9
Media Supply Hubs	10
Platen Block Assembly 1 of 2	11
Platen Block Assembly 2 of 2	12
Printhead Assembly	13
Printhead and Cables	14
Media Sensor	15
Hardware and Small Parts	16

H-Class Options

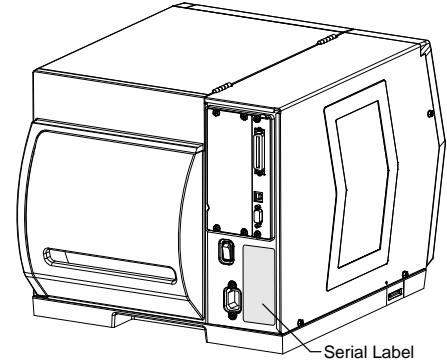
Thermal Transfer Option	18
Internal Rewind Option - 4" and 6" Non-Powered	19
Internal Rewind Option - 4", 6", and 8" - Powered	20
Internal Rewind Option Accessories	21
Cutter Option - 4"	22
Cutter Option - 6" and 8"	22
Basic Peel and Present	23
Present Sensor Kit	23
Wireless Ethernet Option	25
GPIO/Applicator Board Option	26
SDIO/USB Host Option and Cover Plate	27
Linear Scanner Kit	28
RFID Ready Option (UHF)	29
Supply Hub Media Retainer Kit	30
Static Brush	30

Using this Manual

Before using this manual it is important to identify the model printer you are locating parts for. Many parts are used across all models, yet some are specific to certain models. The model of printer is located on the serial label on the rear of the printer.

This manual covers the following H-Class models:

H-4212, H-4310, H-4408, H-4606, H-4606X, H-4212X, H-4310X, H-6210, H-6308, H-6212X, H-6310X, H-8308X.



For more information on ordering or becoming a partner please contact:

Datamax-O'Neil Customer Care
407-523-5550
customer care@datamax-oneil.com

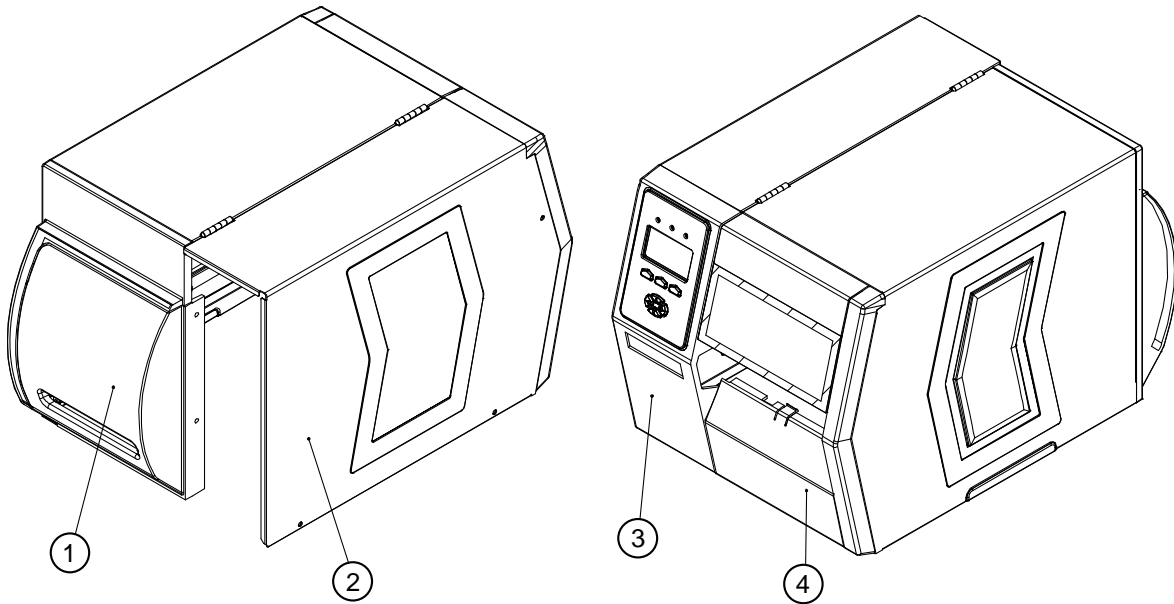
Revision Listing

Date	Rev.	Changes
7/30/08	A	Initial Release
8/18/08	B	Miscellaneous Updates
10/15/08	C	Added 6" RFID Transducer Removed "B only" Wireless Card Option
4/1/09	D	Changed DPO15-3171-01 to DPR15-3171-01 Changed DPR78-2629-xx to OPT78-2629-xx Changed DPR78-2667-xx to OPT78-2667-xx Changed OPT78-2685-01 to DPO78-2685-01
6/1/09	E	Added DPO78-268-02, Static Brush Kit for 6 and 8 inch printers
3/16/11	F	DPR17-3088-01 (10PK) Spring, Head Lift, H4, Replaced with: DPR17-3162-01 (10PK) Spring, Head Lift H4, H6, & H8
10/1/11	G	DPO51-2401-10 replaced with DPO78-2620-02 OPT78-2657-12 replaced with OPT78-2873-01 Removed OPT78-2667-03 RFID Ready Upgrade Option, H4 – L3 Removed OPT78-2667-04 RFID Ready Upgrade Option, H4 – L4
6/1/12	H	Removed: DPR51-2402-00 replaced with DPO24-2644-01 Added: DPO32-2577-01 (2PK) CABLE ASSY, DISPLAY DPO32-2581-01 (2PK) CABLE ASSY, MOTOR CNTL DPO32-2579-01 (2PK) CABLE ASSY, PWR SUP DPO32-2576-01 (2PK) CABLE ASSY, REWIND DPR12-3321-01 Bracket, Platen Retainer 4" DPR12-3440-01 Bracket, Platen Retainer 6" DPR12-3441-01 Bracket, Platen Retainer 8"
12/1/12	J	Added: DPO51-2411-10 (1/PK) CCA, Cutter 4" DPO51-2428-00 (1/PK) CCA, Cutter 6" & 8" DPO17-3221-01 (4PK) Spring, Torsion - Supply Hub DPO12-3417-01 Cover, Media Take-up DPO12-3424-01 Cover, Media Take-up, Tall DPO17-3104-02 Antenna R. Duck RP/SMA DPO15-3173-01 Assy, Support Platen Tall 8" DPR12-3388-01 Baseplate, H-Class, 4" DPR12-3388-02 Baseplate, H-Class, 6" DPR12-3388-03 Baseplate, H-Class, 8"

92-2502-01 Rev.J

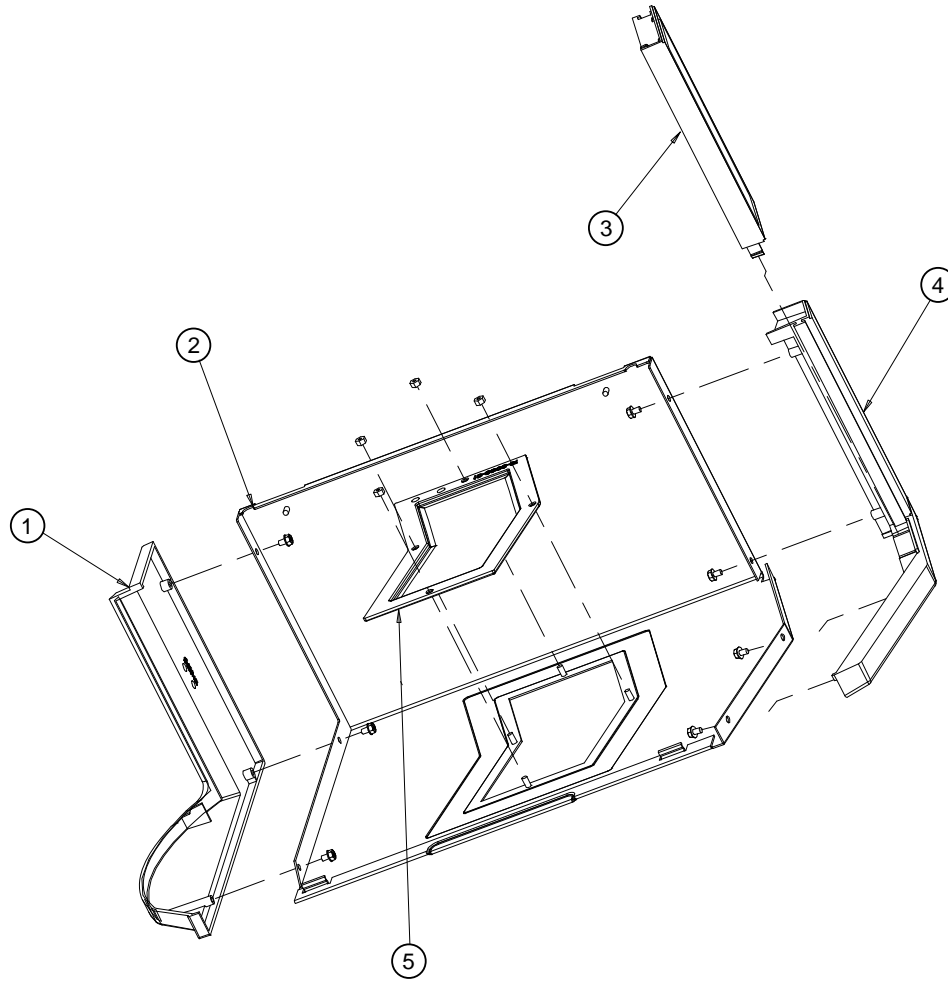
H-Class Printers Assemblies

Short Cover Assembly 1 of 2



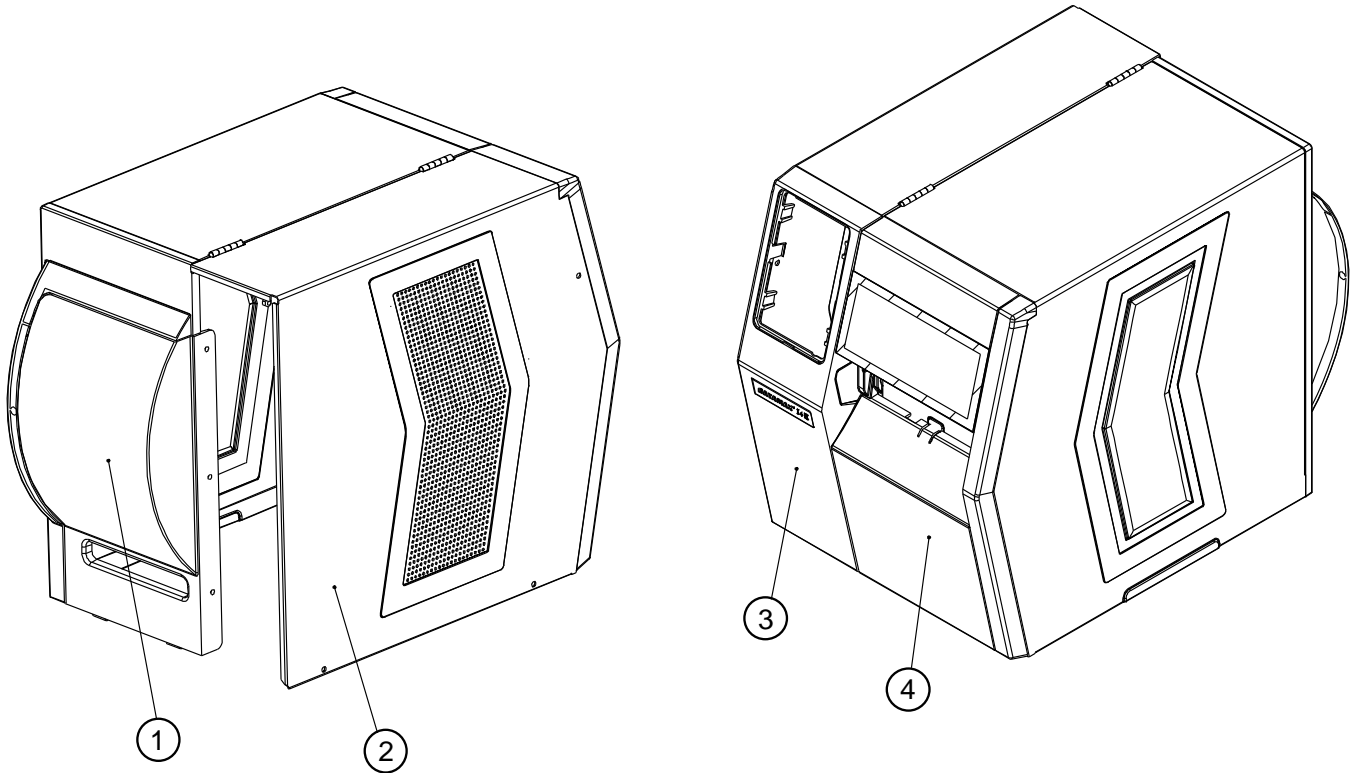
#	Part#	Description	Notes
1	DPO16-3060-01	Cover, Media Roll, H4S	
	DPO16-3122-01	Cover, Media Roll, H6S	
2	DPR15-3031-01	Cover Assembly, Electronics, H4S & H6S	
3	DPR16-3021-01	Cover, Front Panel, Left, H4S & H6S	
4	DPO16-3028-01	Cover, Filler Block, H4S	
	DPO16-3119-01	Cover, Filler Block, H6S	

Short Cover Assembly 2 of 2



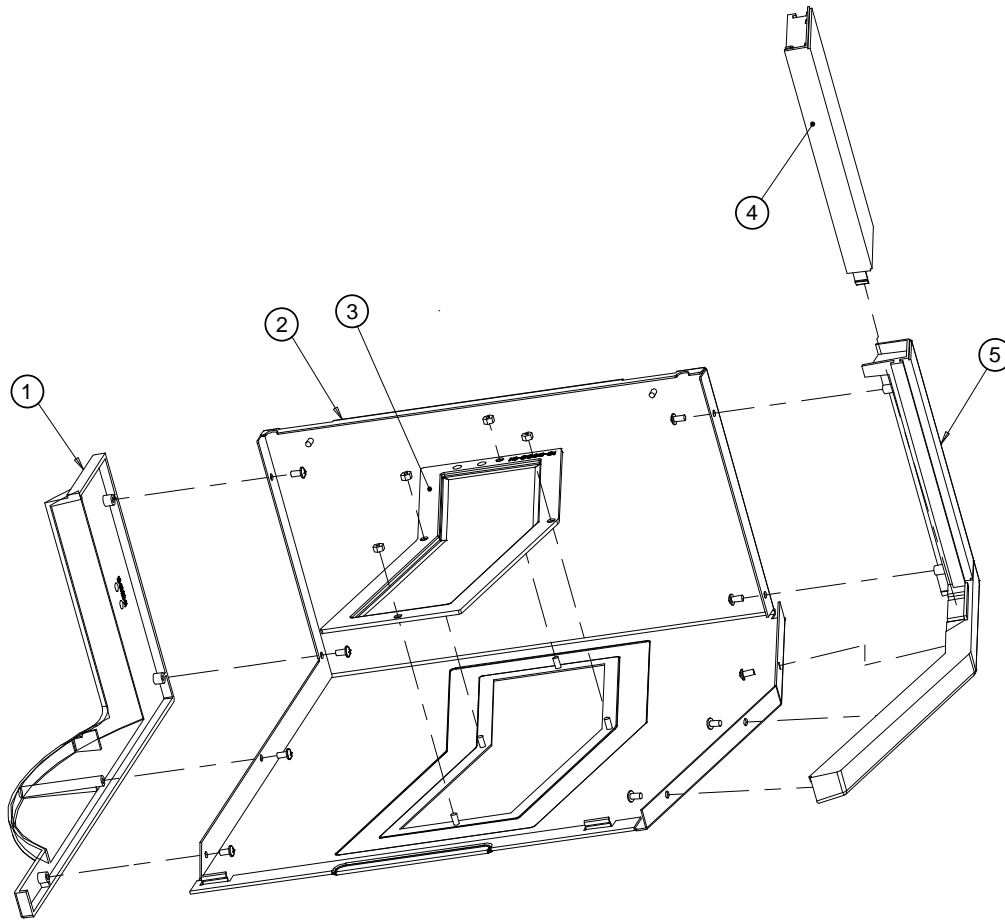
#	Part#	Description	Notes
1	DPO16-3061-01	Cover, Media, Rear, H4S	
	DPO16-3114-01	Cover, Media, Rear, H6S	
2	DPO11-5612-01	Cover, Media, Top, H4S	
	DPO11-5688-01	Cover, Media, Top, H6S	
3	DPO16-3078-01	Cover, Media, Filler, H4	
	DPO16-3117-01	Cover, Media, Filler, H6	
4	DPO16-3023-01	Cover, Media, Front, H4S	
	DPO16-3111-01	Cover, Media, Front, H6S	
5	DPO16-3089-01	Cover, Media, Window, H4S & H6S	

Tall Cover Assembly 1 of 2



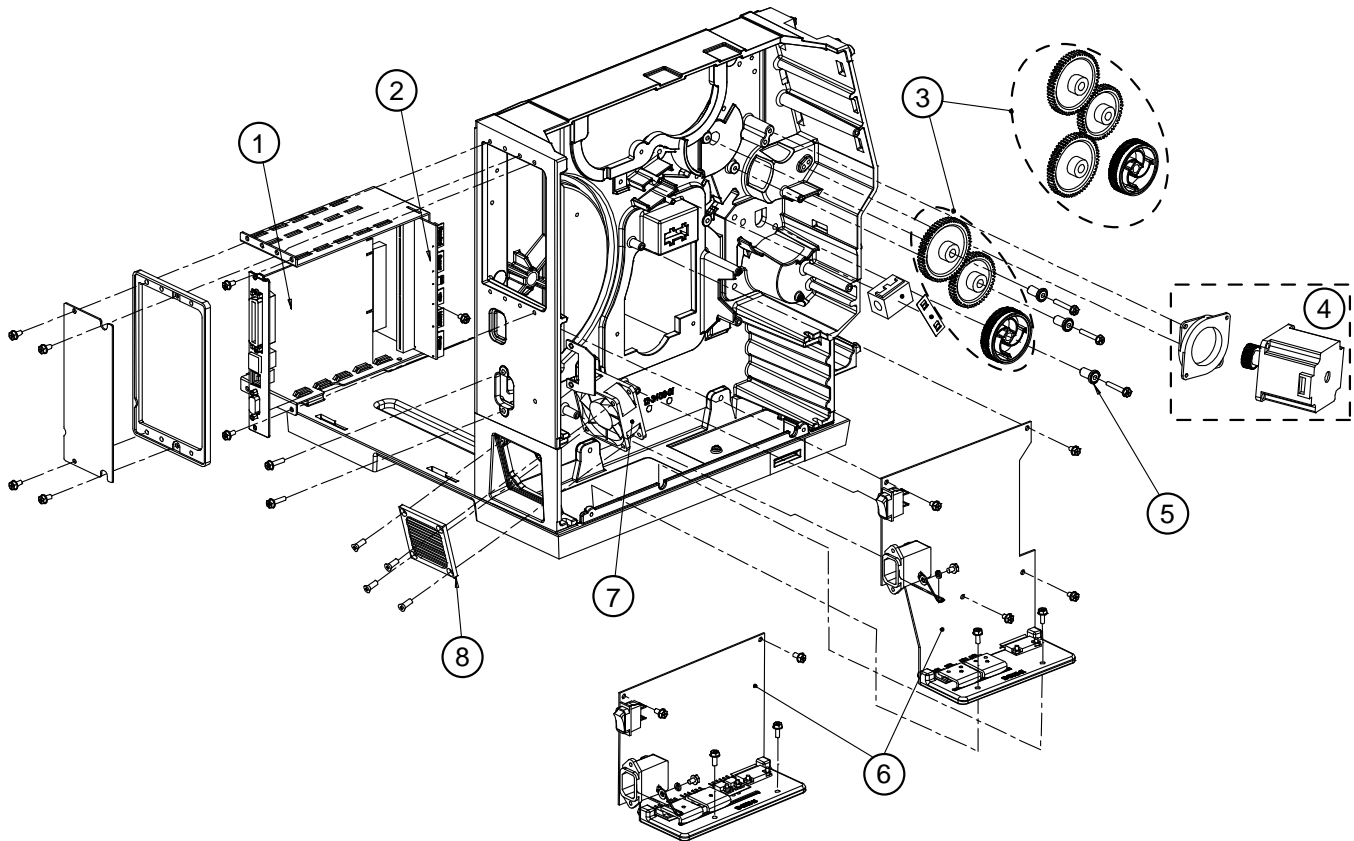
#	Part#	Description	Notes
1	DPO16-3086-01	Cover, Media Roll, H4X	
	DPO16-3123-01	Cover, Media Roll, H6X	
	DPO16-3124-01	Cover, Media Roll, H8X	
2	DPR15-3110-01	Cover Assembly, Electronics, All HX	
3	DPR16-3020-01	Cover, Front Panel, Left, All HX	
4	DPO16-3029-01	Cover, Filler Block, H4X	
	DPO16-3120-01	Cover, Filler Block, H6X	
	DPO16-3121-01	Cover, Filler Block, H8X	

Tall Cover Assembly 2 of 2



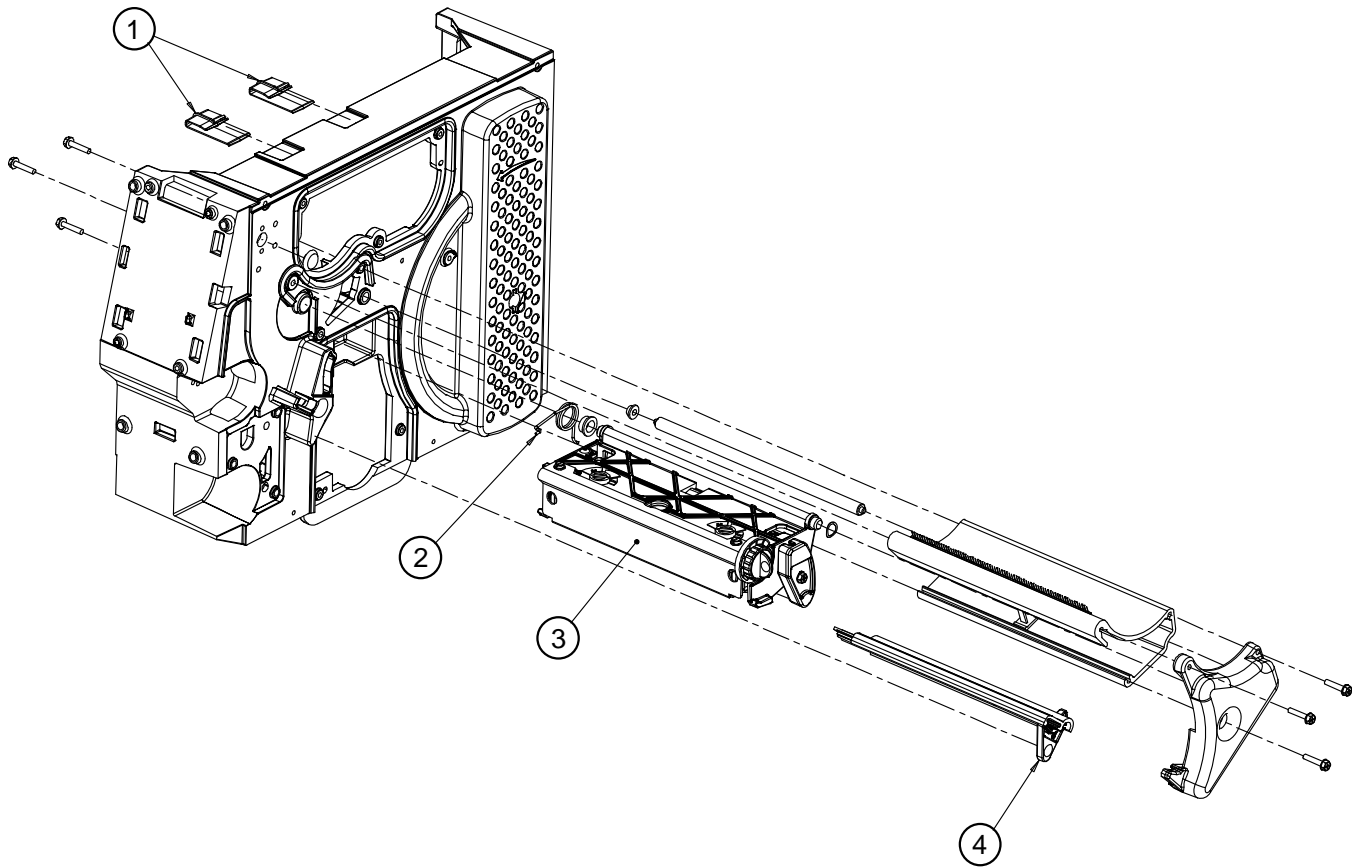
#	Part#	Description	Notes
1	DPO16-3082-01	Cover, Media, Rear, H4X	
	DPO16-3115-01	Cover, Media, Rear, H6X	
	DPO16-3116-01	Cover, Media, Rear, H8X	
2	DPO11-5678-01	Cover, Media, Top, H4X	
	DPO11-5689-01	Cover, Media, Top, H6X	
	DPO11-5690-01	Cover, Media, Top, H8X	
3	DPO16-3090-01	Cover, Media, Window, H4X & H6X	
4	DPO16-3078-01	Cover, Media, Filler, H4	
	DPO16-3117-01	Cover, Media, Filler, H6	
	DPO16-3118-01	Cover, Media, Filler, H8	
5	DPO16-3022-01	Cover, Media, Front, H4X	
	DPO16-3112-01	Cover, Media, Front, H6X	
	DPO16-3113-01	Cover, Media, Front, H8X	

Printer Assembly 1 of 3



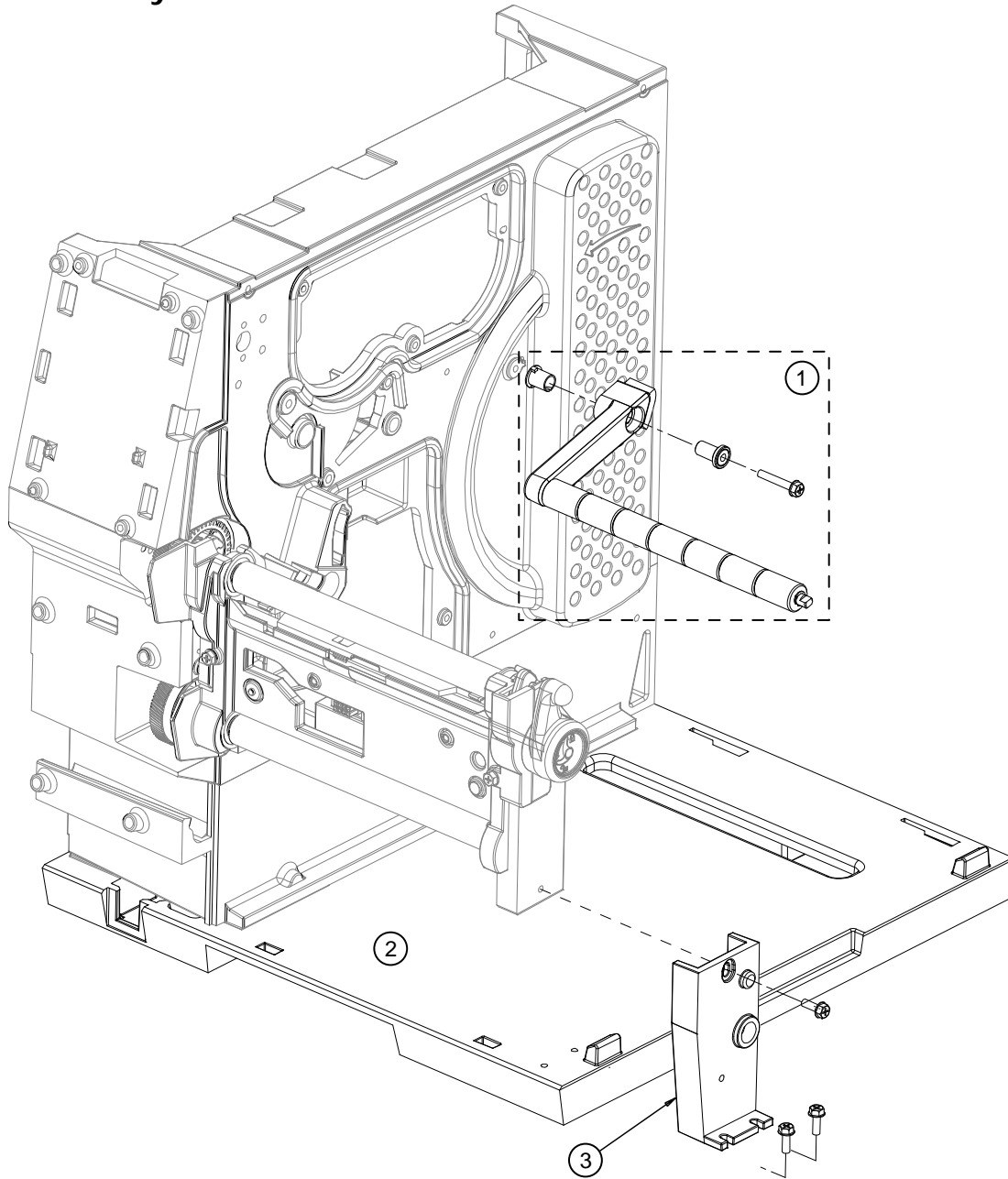
#	Part#	Description	Notes
1	DPO78-2620-02	Board, Main	
2	DPO24-2644-01	Card Cage Assembly - H-Class	<i>(Includes Backplane Board and Display Cable)</i>
3	DPR78-2759-01	Kit, Drive Gear, HS	
	DPR78-2759-02	Kit, Drive Gear, HX	
4	DPR78-2760-01	Kit, Stepper Motor, H42, H44, H62	
	DPR78-2760-02	Kit, Stepper Motor, H43, H46, H63, H83	
5	DPR12-2905-01	(25PK) Post, Idler	
6	DPR51-2410-00	Board, Power Supply, HS	
	DPR51-2409-00	Board, Power Supply, HX	
7	DPR24-2654-01	(2/PK)Fan Assy	
8	DPO17-3110-01	(5/PK) Fan Filter, HX	

Printer Assembly 2 of 3



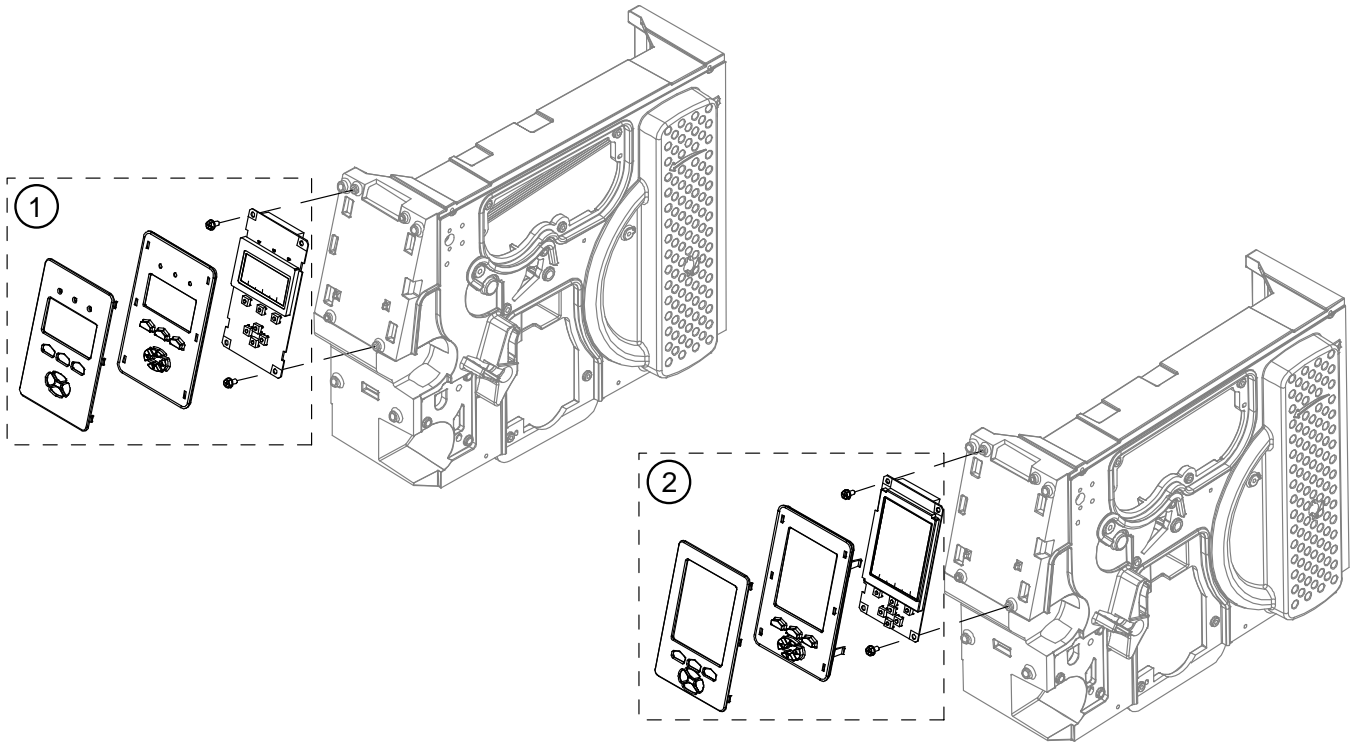
#	Part#	Description	Notes
1	DPR16-3093-01	Clamp Flat Cable	
2	DPR17-3162-01	(10PK) Spring,Head Lift, H6 & H8	
3	DPR15-3040-01	Assy, Printhead, H4	
	DPR15-3040-02	Assy Printhead, H6	
	DPR15-3040-03	Assy Printhead, H8	
4	DPO16-3055-01	Media Guide	

Printer Assembly 3 of 3



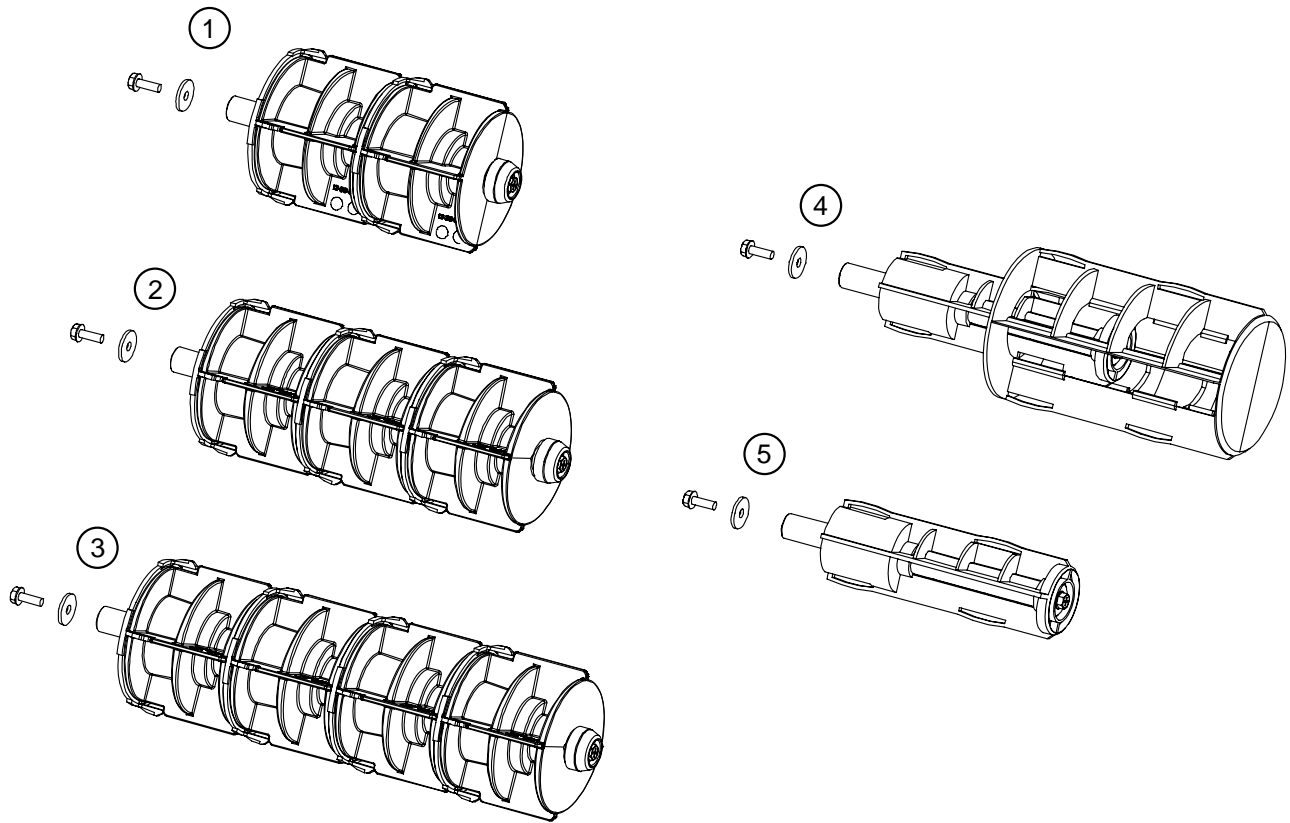
#	Part#	Description	Notes
1	DPR78-2761-01	Kit, Bouncer Arm, H6 & H8	
2	DPR12-3388-01	Baseplate, H-Class, 4"	
	DPR12-3388-02	Baseplate, H-Class, 6"	
	DPR12-3388-03	Baseplate, H-Class, 8"	
3	DPO15-3173-01	Assy, Support Platen Tall 8"	

Front Panel Display Assembly



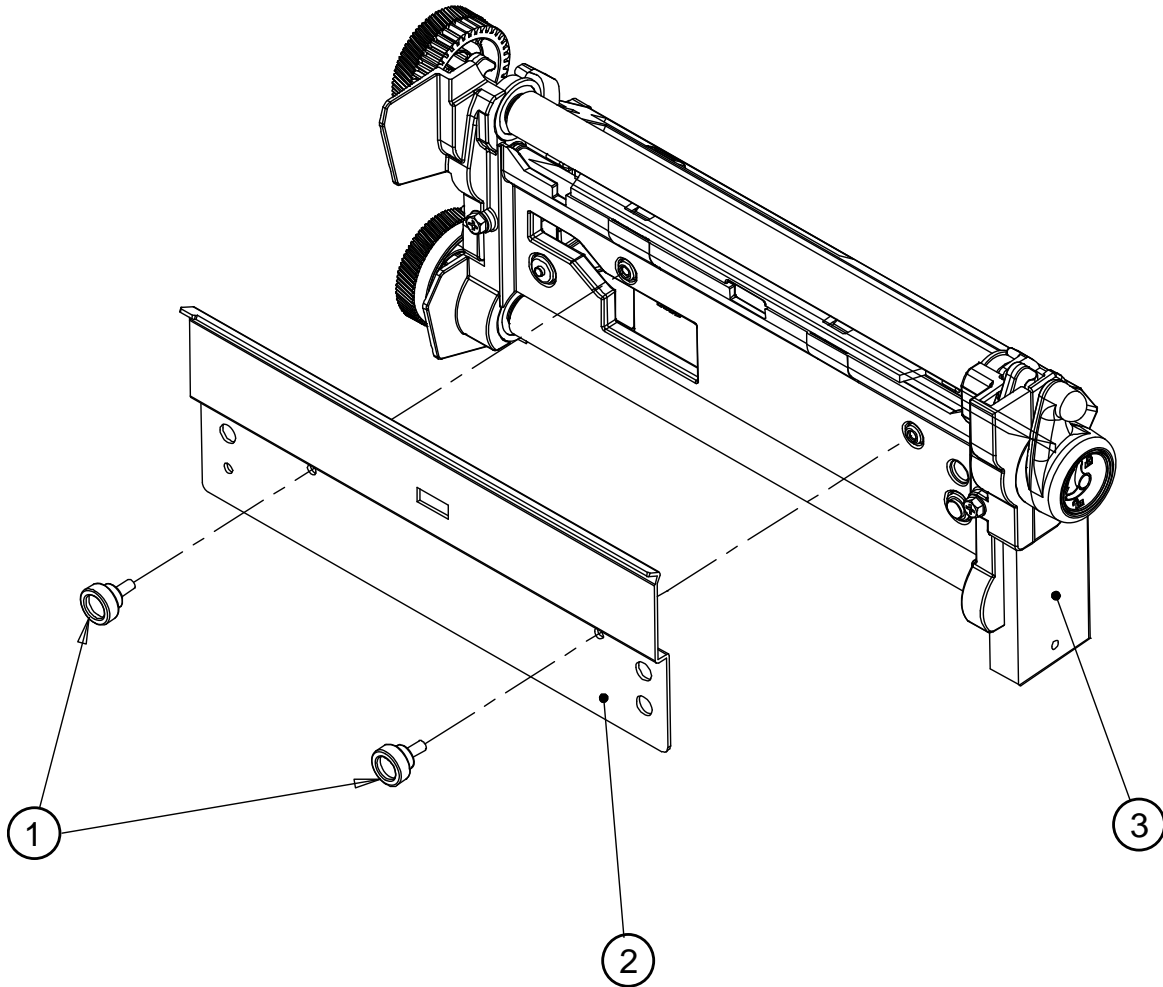
#	Part#	Description	Notes
1	DPR78-2694-01	Display, Assy - Small 128 X 64 H	
2	DPR78-2694-02	Display, Assy - Large, 240 X 320	

Media Supply Hubs



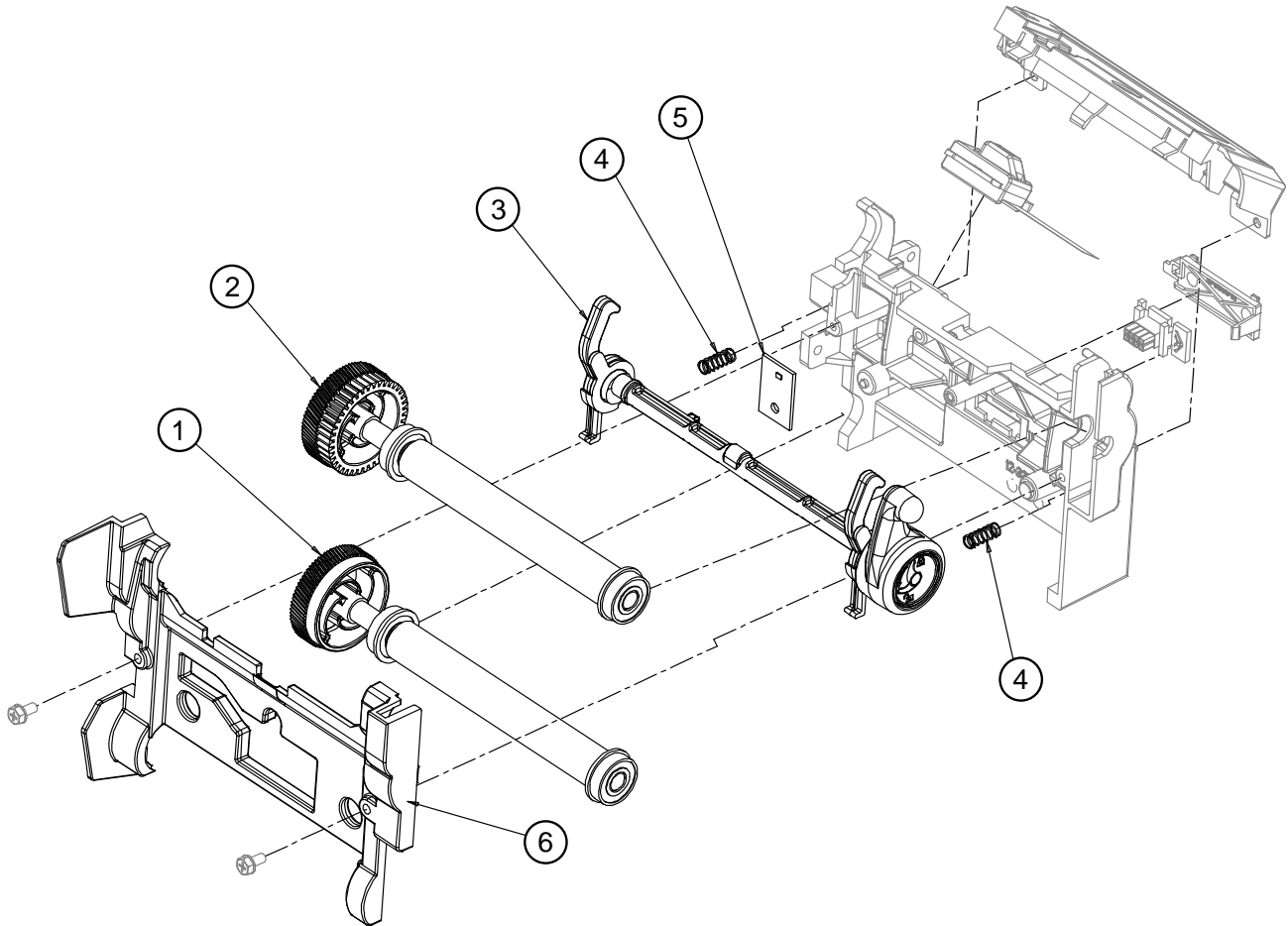
#	Part#	Description	Notes
1	DPR78-2623-01	Assy, Media Supply Hub, H4 - Metal	
2	DPR78-2623-11	Assy, Media Supply Hub, H6 - Metal	
3	DPR78-2623-21	Assy, Media Supply Hub, H8 - Metal	
4	DPR78-2330-01	Assy, 3 1/16" Media Supply Hub, H4 - Plastic	
5	DPR78-2367-02	Assy, 40mm Media Supply Hub, H4 - Plastic	

Platen Block Assembly 1 of 2



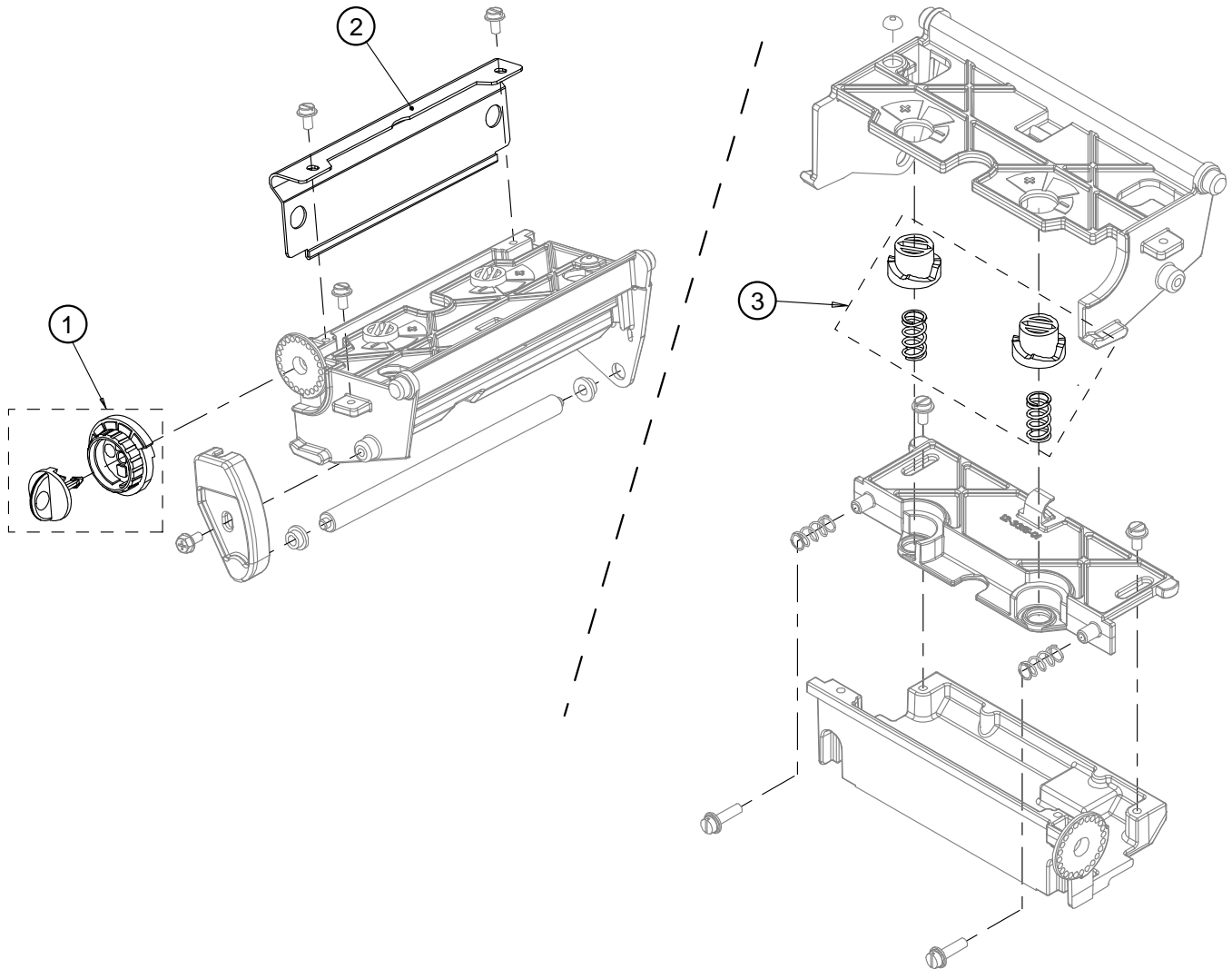
#	Part#	Description	Notes
1	DPO17-2858-01	(2PK) Screw, Knurled M4 X10,	
2	DPO11-5697-01	Tear Plate, H4	
	DPO11-5684-01	Tear Plate, H6	
	DPO11-5685-01	Tear Plate, H8	
3	DPR15-3042-01	Assy, Platen Block, H4	
	DPR15-3042-02	Assy, Platen Block, H6	
	DPR15-3042-03	Assy, Platen Block, H8	

Platen Block Assembly 2 of 2



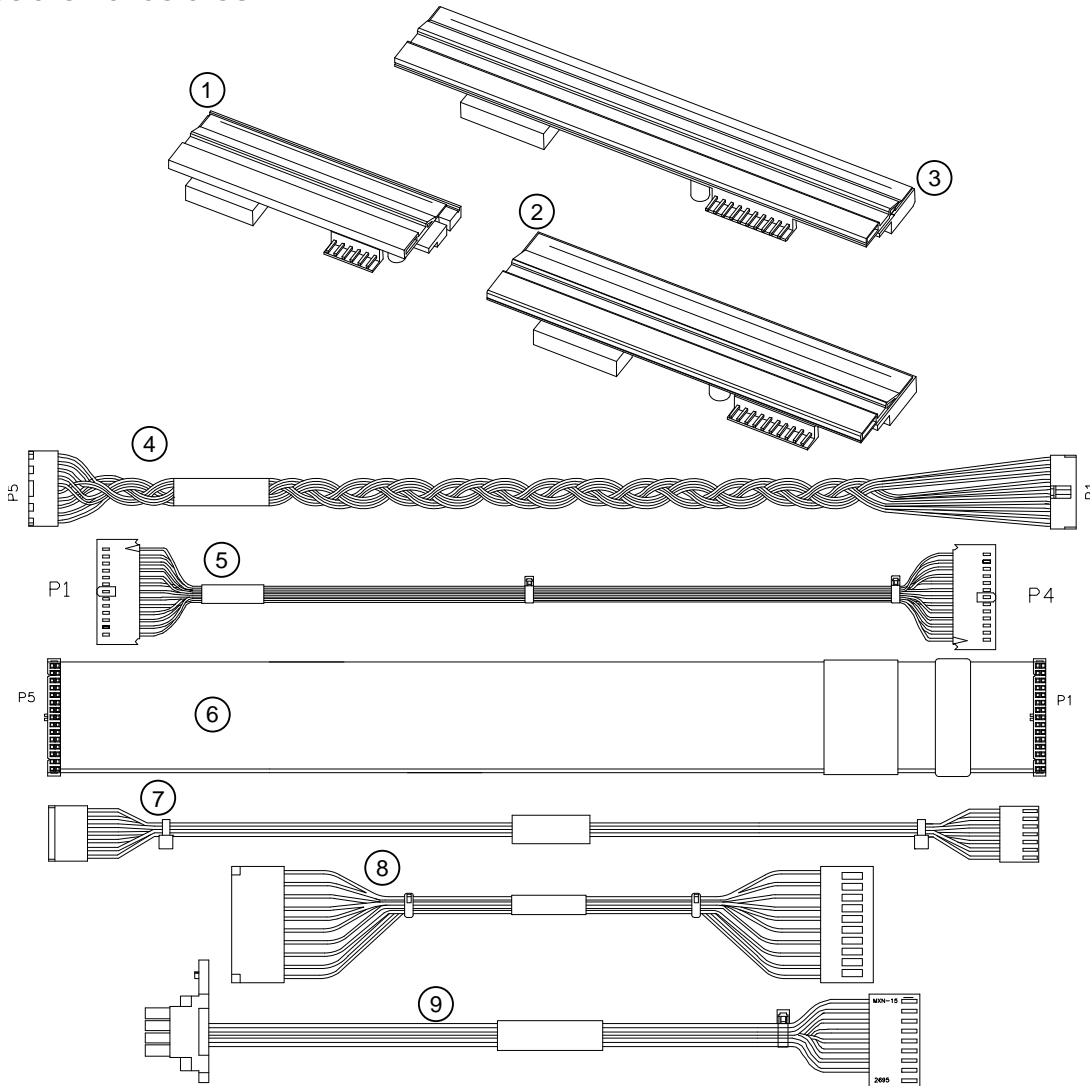
#	Part#	Description	Notes
1	ROL15-3058-02	(2/PK), Assy, Platen Roll, Lower, H4	Includes Bearings and Gears
	ROL15-3058-12	(2/PK), Assy, Platen Roll, Lower, H6	
	ROL15-3058-22	(2/PK), Assy, Platen Roll, Lower, H8	
2	ROL15-3058-01	(2/PK), Assy, Platen Roll, Upper, H4	Includes Bearings and Gears
	ROL15-3058-11	(2/PK), Assy, Platen Roll, Upper, H6	
	ROL15-3058-21	(2/PK), Assy, Platen Roll, Upper, H8	
3	DPR15-3049-01	Assy, Latch, H4	
	DPR15-3049-02	Assy, Latch, H6	
	DPR15-3049-03	Assy, Latch, H8	
4	DPO17-3066-01	Spring, Compression, .21x.625x.018	
5	DPR51-2416-00	Board, Head Home Sensor	
6	DPR12-3321-01	Bracket, Platen Retainer 4"	
	DPR12-3440-01	Bracket, Platen Retainer 6"	
	DPR12-3441-01	Bracket, Platen Retainer 8"	

Printhead Assembly



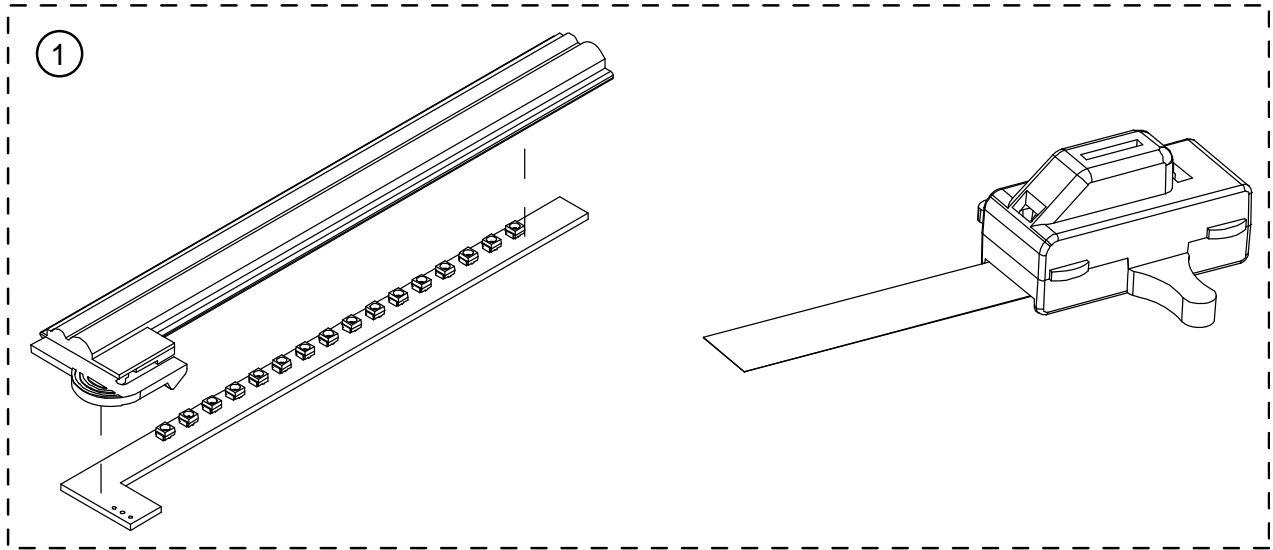
#	Part#	Description	Notes
1	DPO78-2762-01	Kit, Knob, Head Lift Cam	
2	DPO11-5624-01	Guide, Ribbon, H4	
	DPO11-5686-01	Guide, Ribbon, H6	
	DPO11-5687-01	Guide, Ribbon, H8	
3	DPR78-2763-01	Kit, Head Pressure Cam and Spring, H4	Left & Right = Silver Springs
	DPR78-2763-02	Kit, Head Pressure Cam and Spring, H6	Left = Black Spring, Right = Silver Spring
	DPR78-2763-03	Kit, Head Pressure Cam and Spring, H8	Left and Right = Black Springs

Printhead and Cables



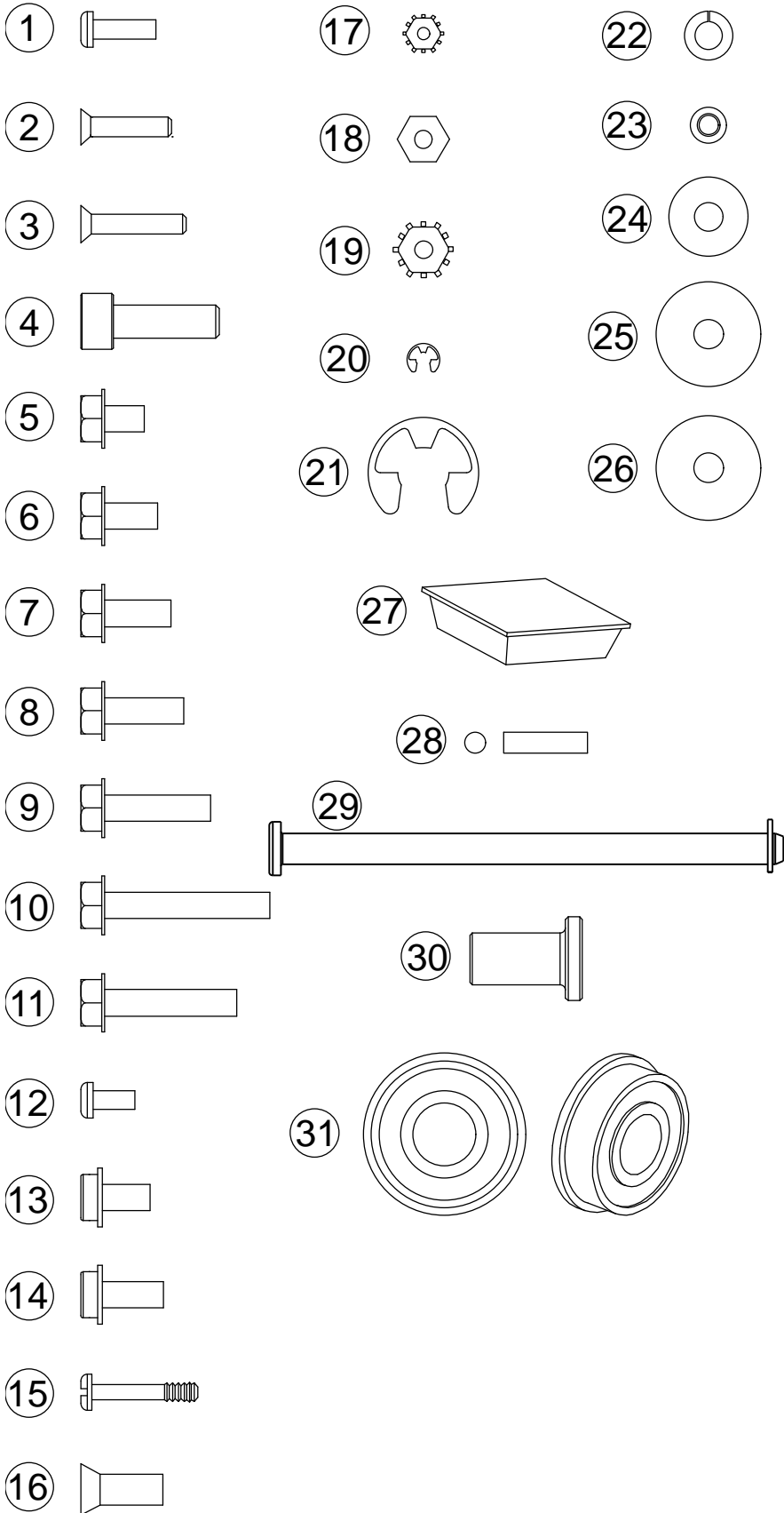
#	Part#	Description	Notes
1	PHD20-2240-01	Printhead, IntelliSEAQ, 203DPI – H4	
	PHD20-2241-01	Printhead, IntelliSEAQ, 300DPI - H4	
	PHD20-2242-01	Printhead, IntelliSEAQ, 400DPI - H4	
	PHD20-2243-01	Printhead, IntelliSEAQ, 600DPI - H4	
2	PHD20-2245-01	Printhead, IntelliSEAQ, 203DPI - H6	
	PHD20-2246-01	Printhead, IntelliSEAQ, 300DPI - H6	
3	PHD20-2234-01	Printhead, IntelliSEAQ, 300DPI - H8	
4	DPR32-2589-01	Printhead Power Cable, H4S	
	DPR32-2580-01	Printhead Power Cable, H4X	
	DPR32-2534-02	Printhead Power Cable, All H6 & H8	
5	DPR32-2590-01	Printhead Data Cable, All H4	
	DPR32-2542-01	Printhead Data Cable, All H6 & H8	
6	DPO32-2577-01	(2PK) Cable Assy, Display	
7	DPO32-2581-01	(2PK) Cable Assy, Motor Cntl	
8	DPO32-2579-01	(2PK) Cable Assy, Pwr Sup	
9	DPO32-2576-01	(2PK) Cable Assy, Rewind	

Media Sensor



#	Part#	Description	Notes
1	DPR78-2712-01	Kit, Media Sensor	

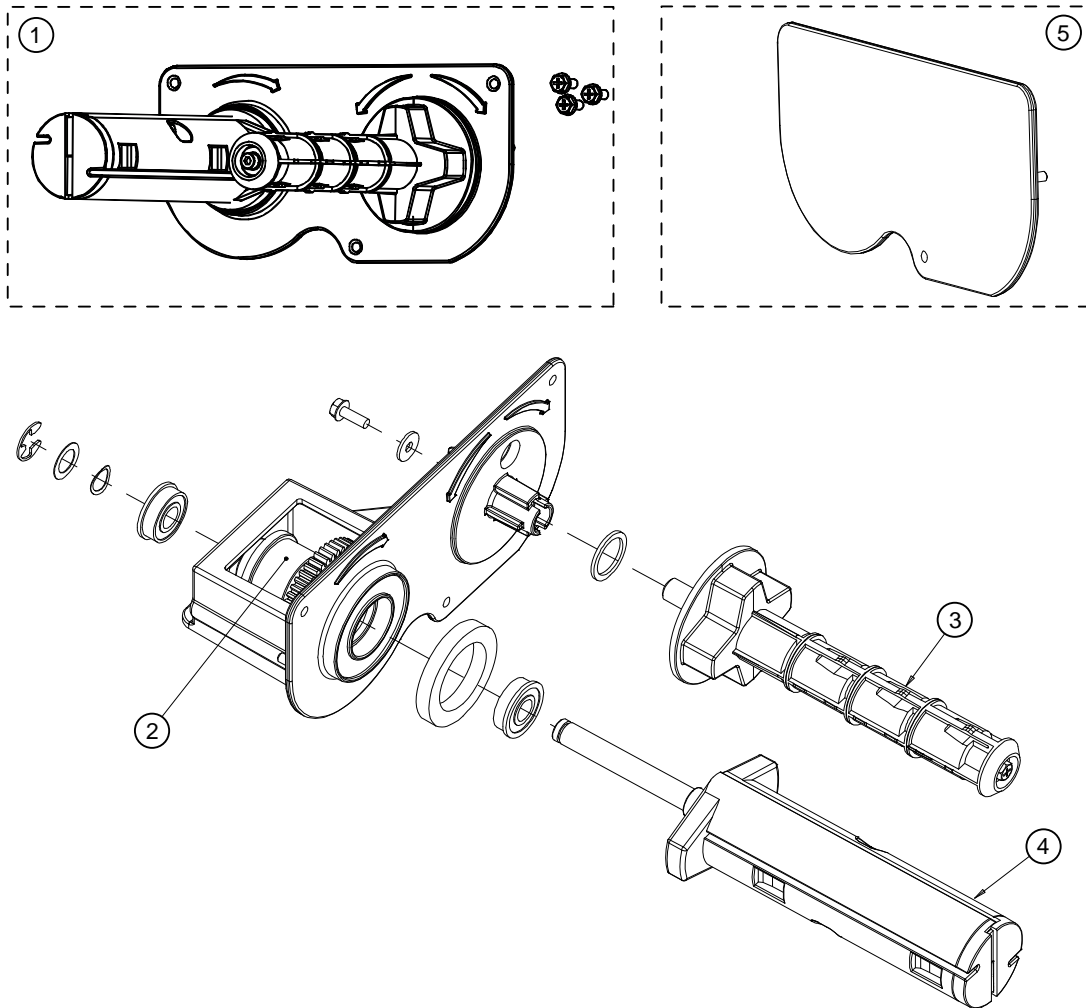
Hardware and Small Parts



1	DPO130919	(50PK) Screw 4-40 X 3/8 PHD
2	DPO10-2514-05	(50PK) Screw, M3 X 14, FHD
3	DPO10-2514-06	(50PK) Screw, M3 X 16, FHD
4	DPO10-2539-04	(50PK) Screw, M5 X .8 X 16 SHD
5	DPO10-2903-01	(50PK) Screw, M4X6, PHD
6	DPO10-2903-02	(50PK) Screw, M4X8, PHD
7	DPO10-2903-03	(50PK) Screw, M4X10, PHD
8	DPO10-2903-04	(50PK) Screw, M4X12, PHD
9	DPO10-2903-05	(50PK) Screw, M4X16, PHD
10	DPO10-2903-06	(25PK) Screw, M4X25, PHD
11	DPO10-2903-08	(25PK) Screw, M4X20, PHD
12	DPO10-3020-10	(50PK) Screw, 4-40 X .25 SS, PHD
13	DPO10-3030-01	(50PK) Screw, M4X8 SCH
14	DPO10-3030-02	(50PK) Screw, M4X16 SCH
15	DPO10-3069-01	(3PK) Screw, Captive, S.S.
16	DPO10-3132-01	(50PK) Screw, #8 X 1/2 FHD
17	DPO130944	(50PK) Nut M3 X .5
18	DPO10-2114-01	(50PK) Nut M4,,
19	DPO10-3158-01	(50PK) Nut, M4 w/External Tooth LW
20	DPO10-3021-01	(50PK) E-Ring, 3/32
21	DPO10-0563-01	(50PK) E-Ring, 3/8
22	DPO10-0526-01	(50PK) Washer, #8, Split-Lock,
23	DPO10-2411-02	(50PK) Washer, Shoulder (TO-220),
24	DPO10-2901-01	(50PK) Washer FLAT 4.3MM ID,
25	DPO10-2975-01	(25PK) Washer, FLAT,
26	DPO10-3152-01	(5PK) Washer, .175 IDX.626 OD X.062T
27	DPO10-2913-01	(48PK) Foot, Stick-On,
28	DPO10-2808-01	(50PK) Dowel Pin, .125X.50
29	DPO10-3145-01	Pin, Clevis, .188 Dia.
30	DPR12-2905-01	(25PK) Post, Idler
31	DPO17-3028-01	(2/PK) Bearing, Flanged

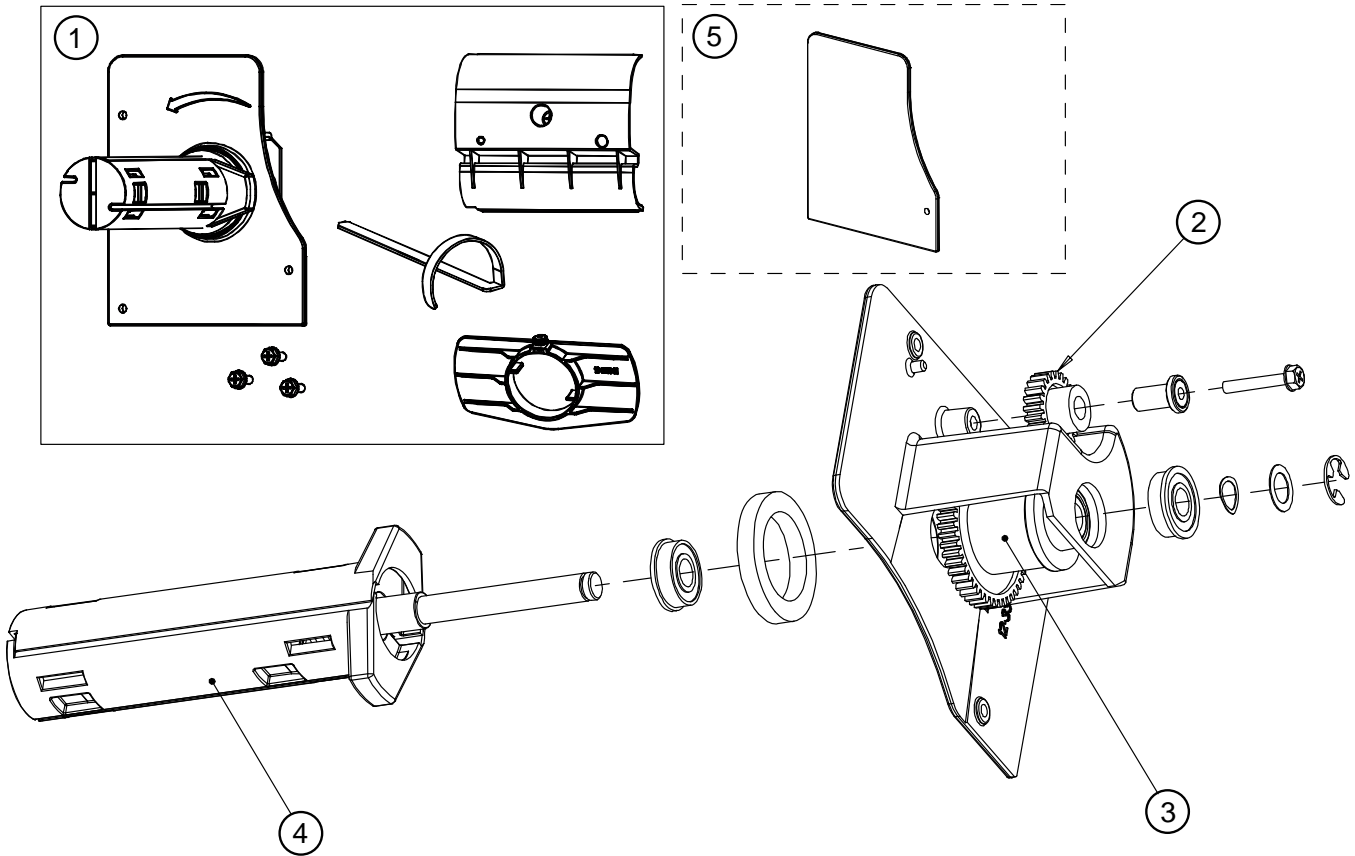
H-Class Options

Thermal Transfer Option



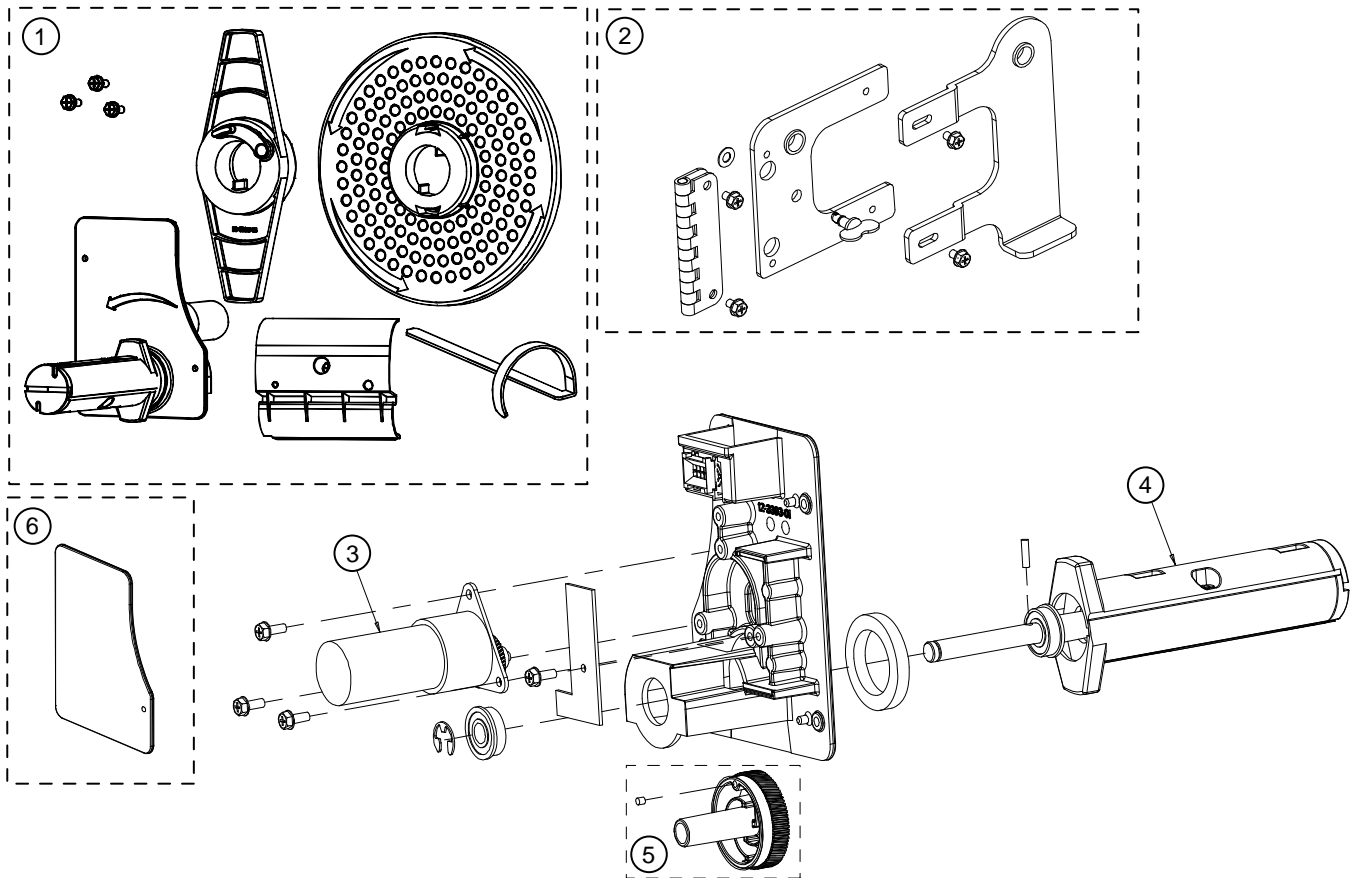
#	Part#	Description	Notes
1	OPT78-2613-04	Thermal Transfer Option - H4 Plastic Hubs	
	OPT78-2613-01	Thermal Transfer Option - H4 Metal Hubs	
	OPT78-2613-11	Thermal Transfer Option - H6 Metal Hubs	
	OPT78-2613-21	Thermal Transfer Option - H8 Metal Hubs	
2	DPR15-2776-21	(2/PK) Clutch Assembly, Ribbon Rewind - H4	
	DPR15-2802-51	(2/PK) Clutch Assembly, Ribbon Rewind – H6 & H8	
3	DPR15-3044-01	Assy, Ribbon Supply Hub – H4	
	DPR15-3044-02	Assy, Ribbon Supply Hub - H6	
	DPR15-3044-03	Assy, Ribbon Supply Hub - H8	
4	DPR15-3123-01	Assy, Ribbon Take Up Hub - H4 Plastic Hub	
	DPR15-3068-01	Assy, Ribbon Take Up Hub - H4 Metal Hub	
	DPR15-3068-02	Assy, Ribbon Take Up Hub - H6	
	DPR15-3068-03	Assy, Ribbon Take Up Hub - H8	
5	DPO12-3416-01	Cover, Direct Thermal	
--	DPO17-3221-01	(4PK) Spring, Torsion – Supply Hub	

Internal Rewind Option - 4" and 6" Non-Powered



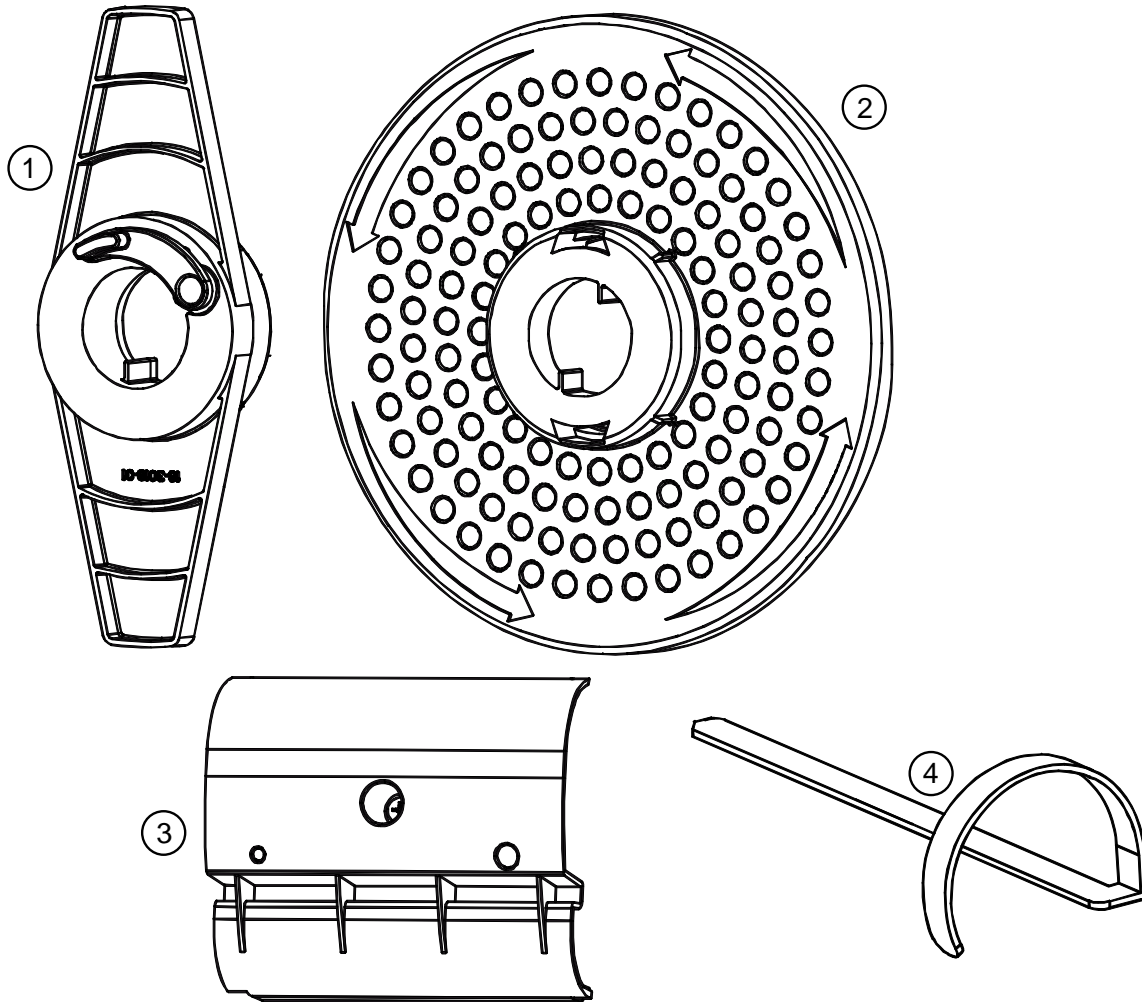
#	Part#	Description	Notes
1	OPT78-2615-01	Internal Rewind Option - H4S Non-Powered	
	OPT78-2615-11	Internal Rewind Option - H6S Non-Powered	
2	DPR17-2860-01	(10pk) Gear, Spur, 24t	
3	DPR15-2802-41	(2/Pk) Clutch Assembly, Media Hub	
4	DPR15-3123-01	Assy, Take Up Hub - H4S	
	DPR15-3068-02	Assy, Take Up Hub - H6S	
5	DPO12-3417-01	Cover, Media Take-up	

Internal Rewind Option - 4", 6", and 8" - Powered



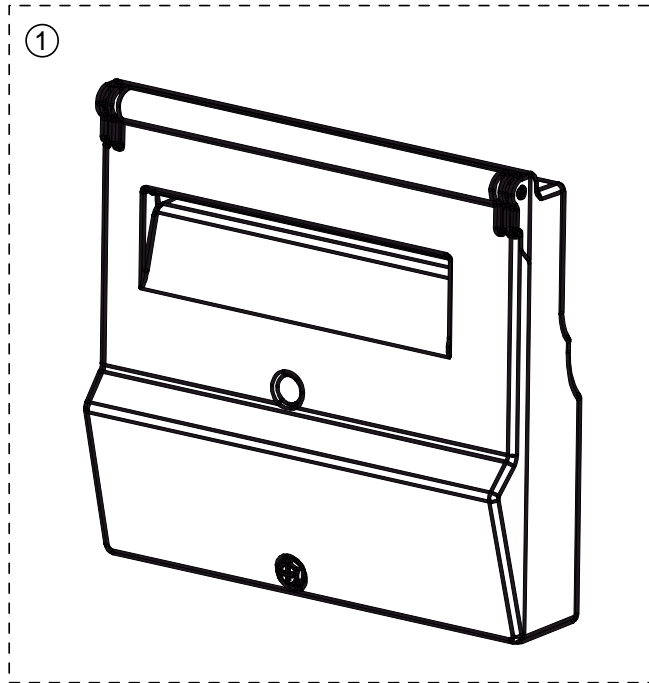
#	Part#	Description	Notes
1	OPT78-2627-01	Internal Rewind Option, H4X - Powered	
	OPT78-2627-11	Internal Rewind Option, H6X - Powered	
	OPT78-2627-21	Internal Rewind Option, H8X - Powered	
2	DPR15-3171-01	Assy, Rewinder Support, H8X only	
3	DPR15-3167-01	Assy, Motor Rewinder, H4X	
	DPR15-3168-01	Assy, Motor Rewinder, H6X & H8X	
4	DPR15-3122-01	Assy, Take Up Hub, H4X	
	DPR15-3122-02	Assy, Take Up Hub, H6X	
	DPR15-3122-03	Assy, Take Up Hub, H8X	
5	DPR15-3203-01	Assy, Take Up Gear, HX	
6	DPO12-3424-01	Cover, Media Take-up, Tall	

Internal Rewind Option Accessories



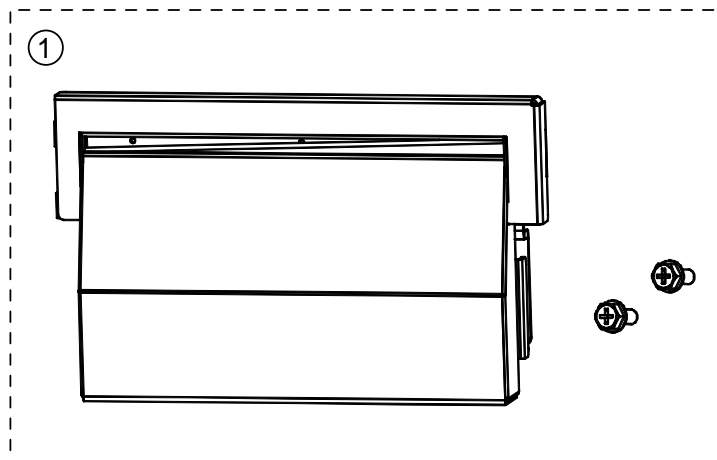
#	Part#	Description	Notes
1	DPO15-3161-01	Assy, Rewinder Retainer	
2	DPO16-3010-01	Disc, Inner Rewinder	
3	DPO16-3100-01	Arc Plate, H4	
	DPO16-3129-01	Arc Plate, H6	
	DPO16-3130-01	Arc Plate, H8	
4	DPO11-5613-01	Retainer, Media, H4	
	DPO11-5613-02	Retainer, Media, H6	
	DPO11-5613-03	Retainer, Media, H8	

Cutter Option - 4"



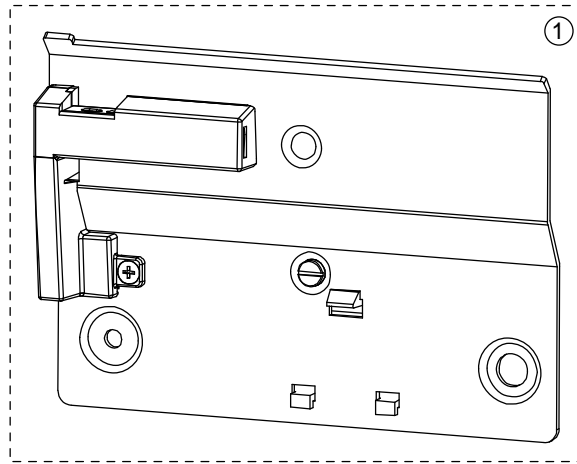
#	Part#	Description	Notes
1	OPT78-2618-01	Cutter Option - H4	
--	DPO51-2411-10	(1/PK) CCA, Cutter 4"	

Cutter Option - 6" and 8"



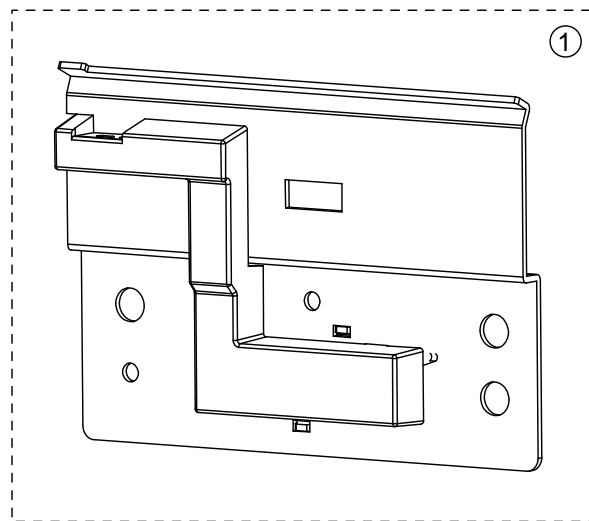
#	Part#	Description	Notes
1	OPT78-2618-11	Cutter Option - H6	
	OPT78-2618-21	Cutter Option - H8	
--	DPO51-2428-00	(1/PK) CCA, Cutter 6" & 8"	

Basic Peel and Present



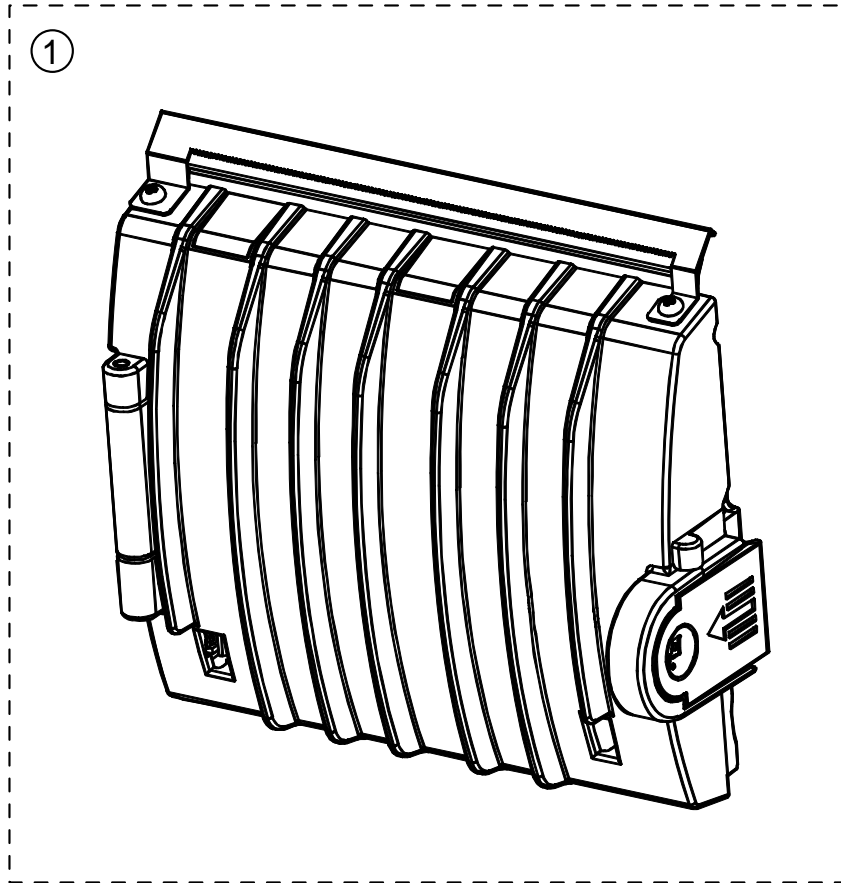
#	Part#	Description	Notes
1	OPT78-2655-01	Basic Peel and Present H4	
	OPT78-2655-11	Basic Peel and Present H6	
	OPT78-2655-21	Basic Peel and Present H8	

Present Sensor Kit



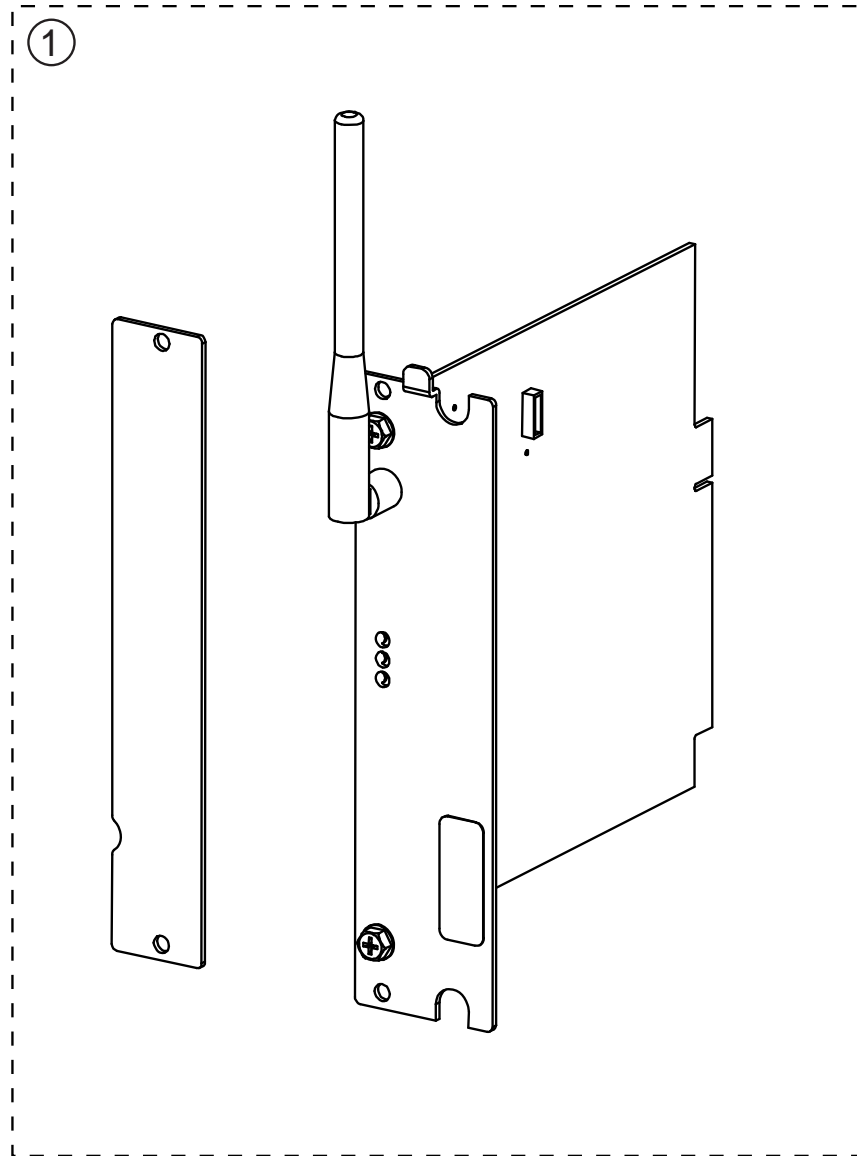
#	Part#	Description	Notes
1	OPT78-2619-01	Present Sensor Kit H4	
	OPT78-2619-11	Present Sensor Kit H6	
	OPT78-2619-21	Present Sensor Kit H8	

Heavy Duty Peel and Present - 4"



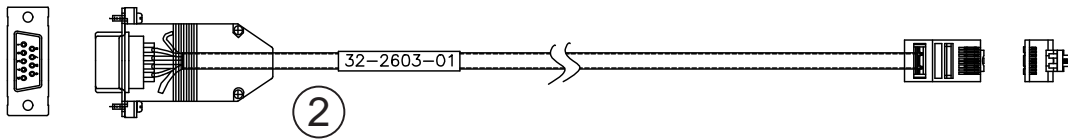
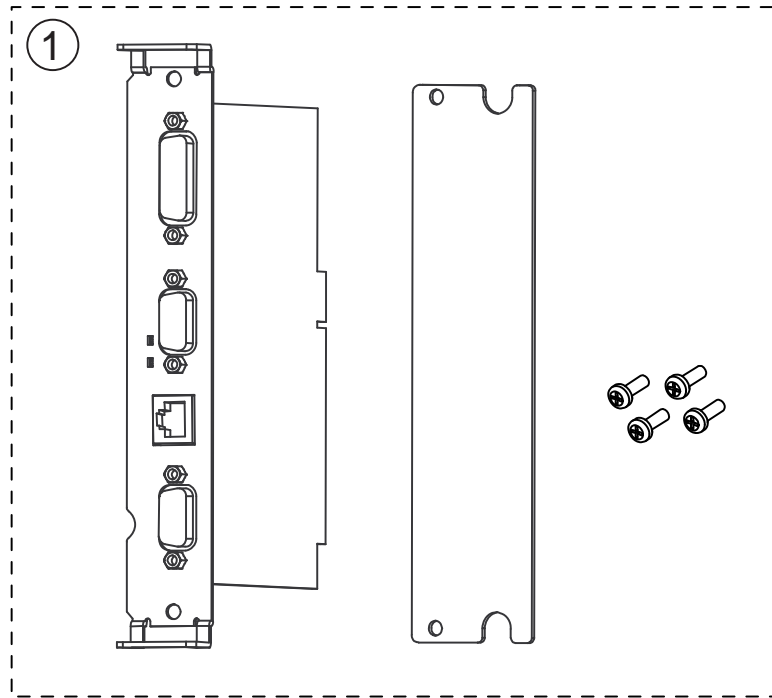
#	Part#	Description	Notes
1	OPT78-2617-01	Heavy Duty Peel and Present - H4	

Wireless Ethernet Option



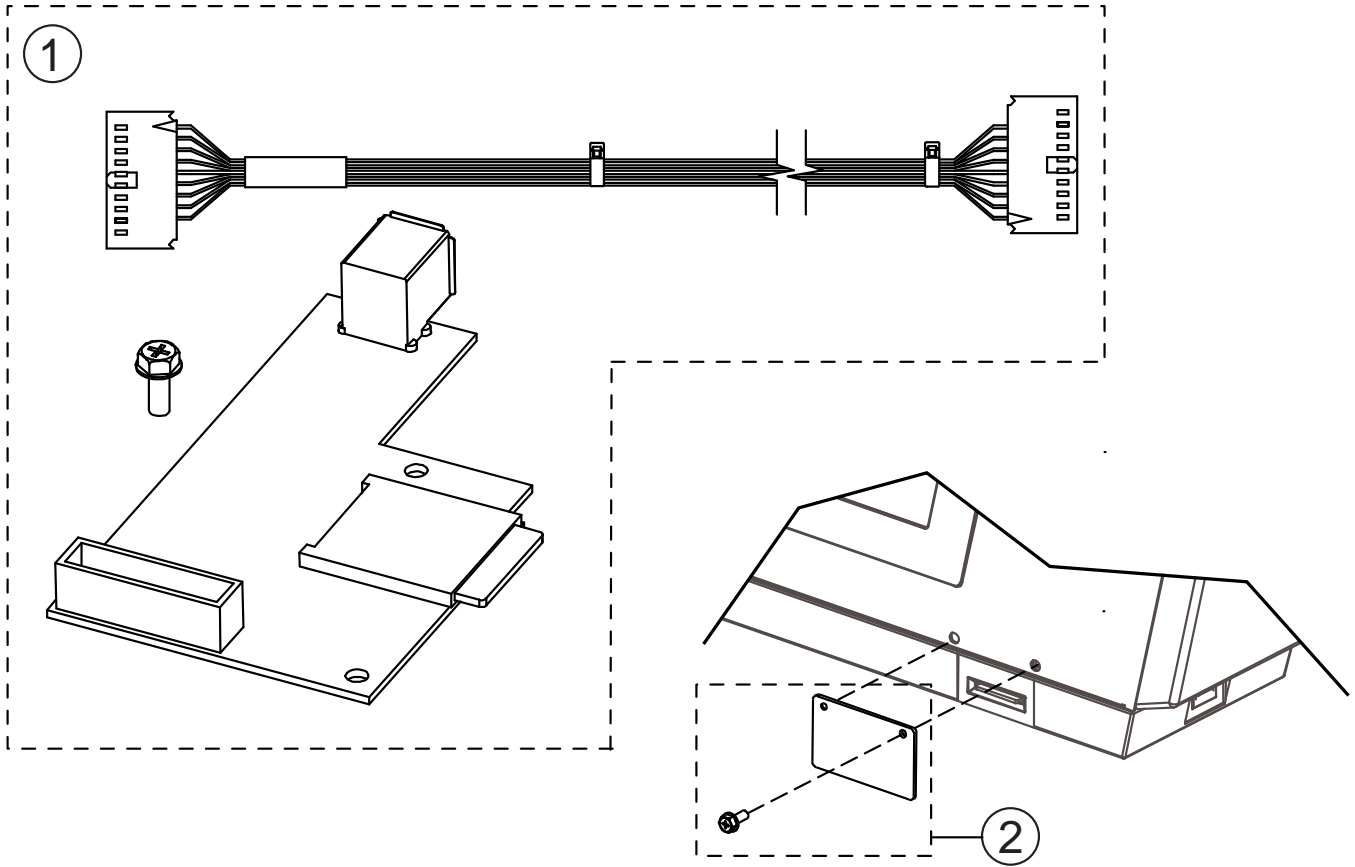
#	Part#	Description	Notes
1	OPT78-2873-01	DMXrfNet 3 W-LAN 802.11 B/G WPA2	
--	DPO17-3104-02	Antenna R. Duck RP/SMA	

GPIO/Applicator Board Option



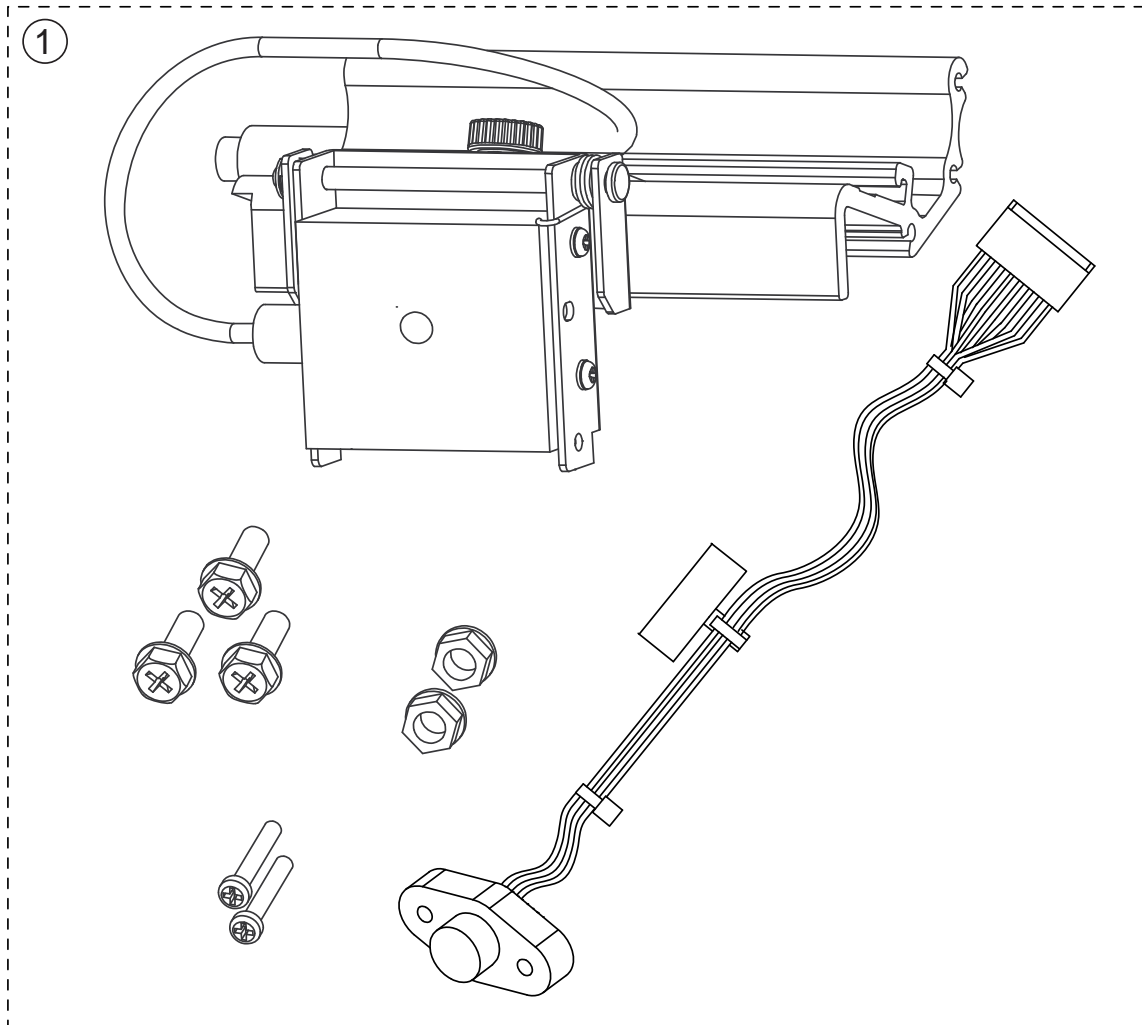
#	Part#	Description	Notes
1	OPT78-2649-01	CCA Applicator Card	
2	DPO32-2603-01	RJ45 To DB9 RS-232 Adapter Cable	72" long

SDIO/USB Host Option and Cover Plate



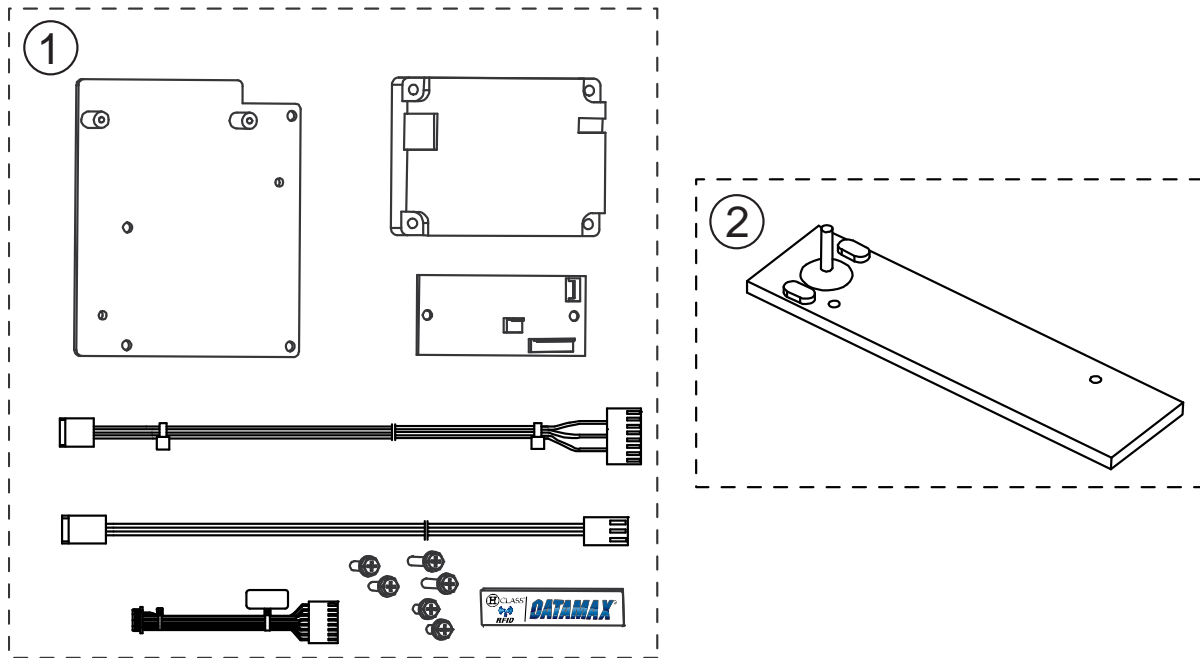
#	Part#	Description	Notes
1	DPR78-2622-02	Opt, SDIO/USB Host Option	
2	DPR78-2749-01	Opt, Cover, SDIO Slot	

Linear Scanner Kit



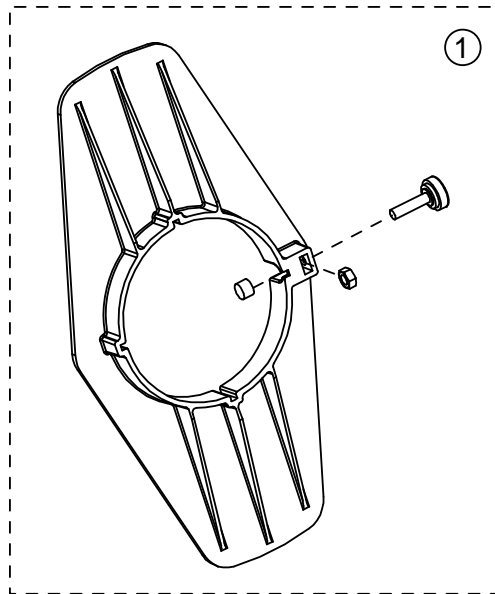
#	Part#	Description	Notes
1	OPT78-2629-01	Linear Scanner Kit H4	
	OPT78-2629-11	Linear Scanner Kit H6	
	OPT78-2629-21	Linear Scanner Kit H8	

RFID Ready Option (UHF)



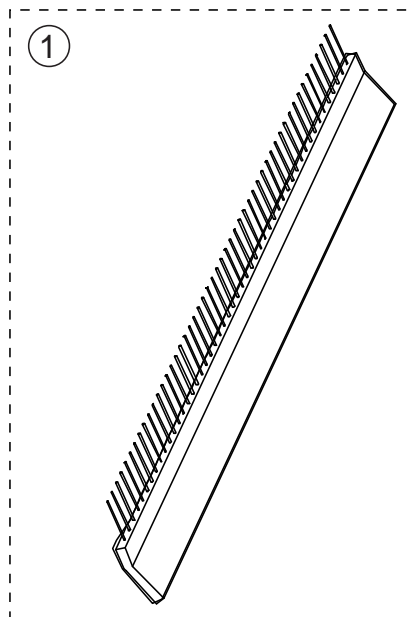
#	Part#	Description	Notes
1	OPT78-2667-01	RFID Ready Upgrade Option, H4 – L1	US/Canada
	OPT78-2667-02	RFID Ready Upgrade Option, H4 – L2	Germany, Denmark, Finland, Iceland, Switzerland, Cyprus, United Kingdom, Malta, Serbia, France, Bulgaria, Slovenia, Poland, Lithuania, Estonia, Czech, Republic, Luxembourg, Greece, Netherlands, Ireland, Belgium, Hungary, Italy, Norway, Portugal, Spain, Slovak Republic, and Sweden
	OPT78-2667-05	RFID Ready Upgrade Option, H4 – L5	Australian/Hong Kong
	OPT78-2667-06	RFID Ready Upgrade Option, H4 – L6	New Zealand
	OPT78-2667-07	RFID Ready Upgrade Option, H4 – L7	Israel
	OPT78-2667-08	RFID Ready Upgrade Option, H4 – L8	Japan
	OPT78-2667-09	RFID Ready Upgrade Option, H4 – L9	Korea
	OPT78-2667-10	RFID Ready Upgrade Option, H4 – R1	India
	OPT78-2667-11	RFID Ready Upgrade Option, H4 – R2	Taiwan
	2	DPR50-2062-01	RFID UHF Transducer, H4
DPR50-2066-01		RFID UHF Transducer, H6	6" Printers Only

Supply Hub Media Retainer Kit



#	Part#	Description	Notes
1	OPT15-2872-01	Supply Hub Media Retainer Kit	For use on plastic hubs only.

Static Brush



#	Part#	Description	Notes
1	DPO78-2685-01	Static Brush Kit	4" Printers Only
	DPO78-2685-02	Static Brush Kit	6" and 8" Printers Only