

Honeywell

PC45 Series Printer Accessories

User Guide

Disclaimer

Honeywell International Inc. (“HII”) reserves the right to make changes in specifications and other information contained in this document without prior notice, and the reader should in all cases consult HII to determine whether any such changes have been made. HII makes no representation or warranties regarding the information provided in this publication.

HII shall not be liable for technical or editorial errors or omissions contained herein; nor for incidental or consequential damages resulting from the furnishing, performance, or use of this material. HII disclaims all responsibility for the selection and use of software and/or hardware to achieve intended results.

This document contains proprietary information that is protected by copyright. All rights are reserved. No part of this document may be photocopied, reproduced, or translated into another language without the prior written consent of HII.

Copyright © 2023 Honeywell Group of Companies. All rights reserved.

Web Address: www.sps.honeywell.com

Trademarks

Microsoft® Windows® and the Windows logo are trademarks or registered trademarks of Microsoft Corporation.

Wi-Fi is a registered certification mark of the Wi-Fi Alliance.

Bluetooth is a trademark of Bluetooth SIG, Inc., U.S.A.

Other product names or marks mentioned in this document may be trademarks or registered trademarks of other companies and are the property of their respective owners.

For patent information, refer to www.hsmpats.com.

TABLE OF CONTENTS

Customer Support	v
Technical Assistance	v
Product Service and Repair	v
Limited Warranty	v
Chapter 1 - Introduction	1
Accessories	1
Setup Printer	2
Load Media	2
Load Ribbon.....	6
Notchless Ribbon Core Adapter	8
Chapter 2 - Installing Accessories	11
Label Dispenser	11
Out of the Box.....	11
Installation	11
Cutter Module.....	15
Out of the Box.....	15
Installation	15
Linerless Cutter Module	18
Out of the Box.....	18
Installation	18
Cutter Tray.....	21
Out of the Box.....	21

Installation.....	21
External Media Holder.....	22
Out of the Box.....	22
Installation.....	22
Wi-Fi/Bluetooth Module.....	26
Out of the Box.....	26
Installation.....	26
Thermal Printhead.....	31
Out of the Box.....	31
Installation.....	31
Heavier Spring.....	34
Out of the Box.....	34
Installation.....	34

Appendix A - Wall Mounting Template 37

PC45 Wall Mounting Template.....	37
Mount Printer on a Wall.....	38

Customer Support

Technical Assistance

To search our knowledge base for a solution or to log into the Technical Support portal and report a problem, go to honeywell.com/PSTechnicalsupport.

Product Service and Repair

Honeywell International Inc. provides service for all of its products through service centers throughout the world. Go to sps.honeywell.com and select Support to find a service center near you or to get a Return Material Authorization number (RMA #) before returning a product.

Limited Warranty

For warranty information, go to sps.honeywell.com and click **Support > Warranties**.

INTRODUCTION

Honeywell offers a range of optional accessories for the PC45 series printers.



Caution: Before you begin, turn off the printer and disconnect the power cord and communication cables.

Accessories

The following accessories are available for the printers:

- [Label Dispenser](#)
- [Cutter Module](#)
- [Linerless Cutter Module](#)
- [Cutter Tray](#)
- [External Media Holder](#)
- [Wi-Fi/Bluetooth Module](#)
- [Thermal Printhead](#)
- [Heavier Spring](#)



Warning: Read and review the warnings in this manual carefully before connecting the printer.

For more information about available accessories, see the PC45 product page at www.sps.honeywell.com. Contact your local sales representative for ordering information.

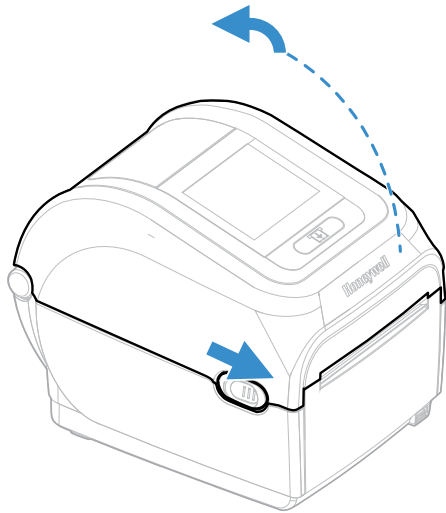
Setup Printer

Follow this procedure to load media and ribbon for PC45 series printer once the accessories are installed.

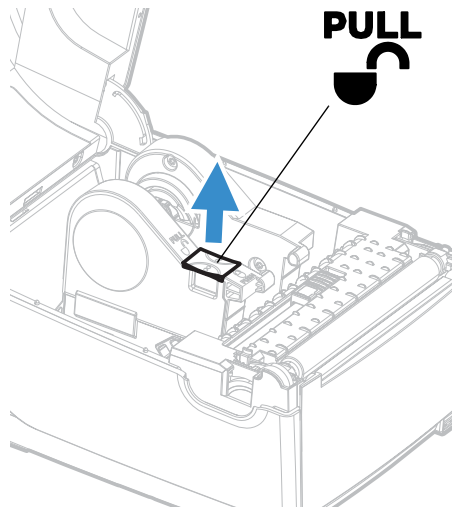
Load Media

Note: The procedure for loading media is same for all the PC45 series printers. For simplicity, the PC45d printer is depicted in the illustrations.

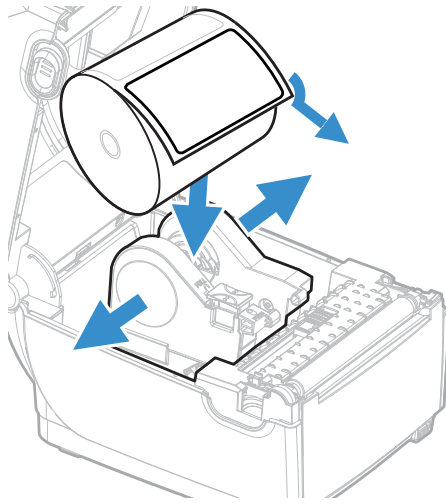
1. Pull one or both of the printer latches toward the front of the printer and lift the printer lid.



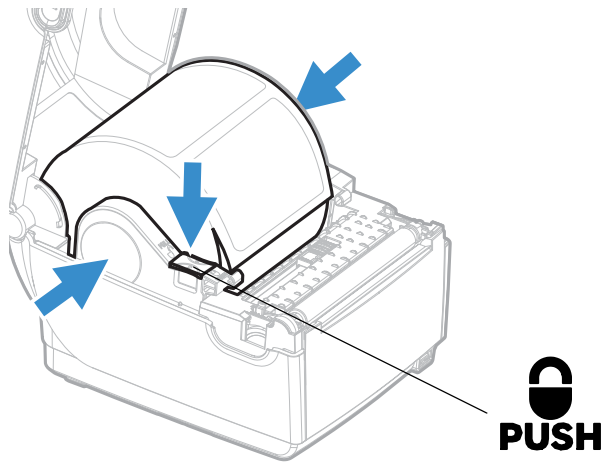
2. Pull the locking tab up.



3. Slide the media holders to adjust the distance between them, and place the media roll between the holders.

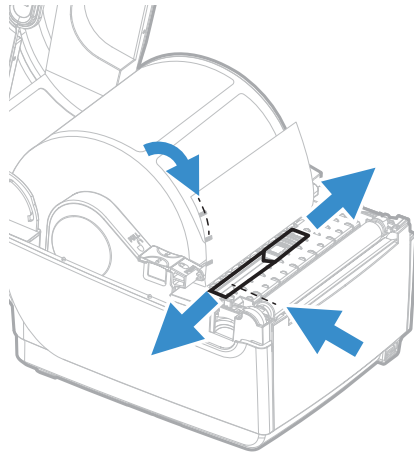


4. Make sure the holders are snug against the sides of the media roll, and then press the locking tab down to lock the media holders in place.

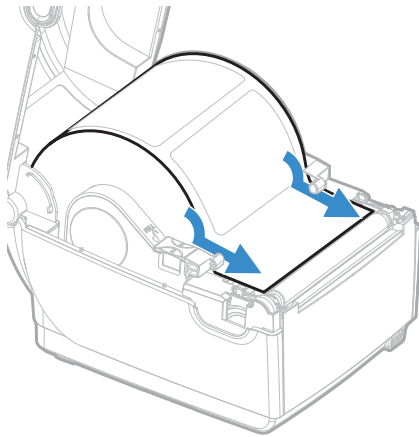


Note: Pull the media forward to make sure the media rotates and is not resting at the base of the printer.

5. For notched or black mark stock, slide the label stop sensor so the notches or marks pass over the sensor.

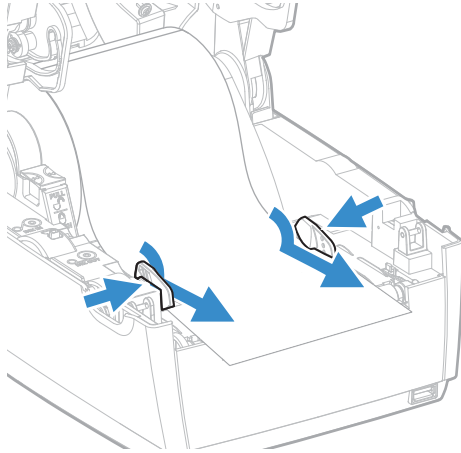


6. For PC45d printer, thread the media under the tip guides on media holders and past the front of the printer.



For PC45t printer, thread the media through the media guides and past the front of the printer. To adjust the width of the media guides, slide the guides as

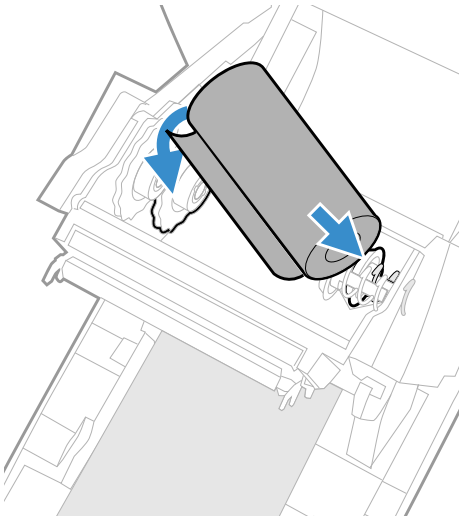
needed to fit your media.



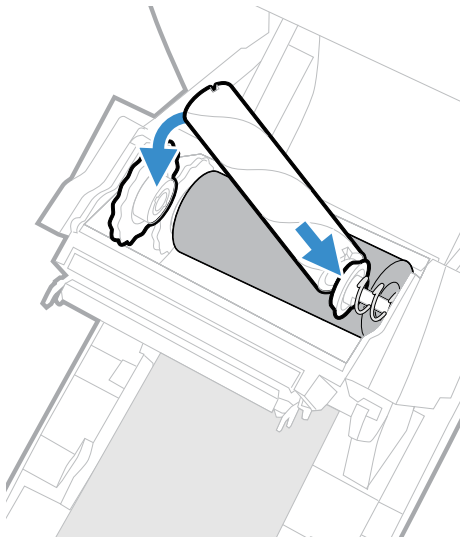
Note: *Ensure the sides of the media is not crushed.*

Load Ribbon

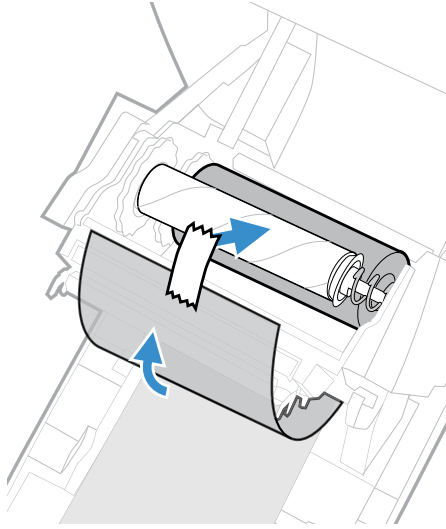
1. Place the new ribbon roll between the rear ribbon holders. The ribbon should come off the roll.



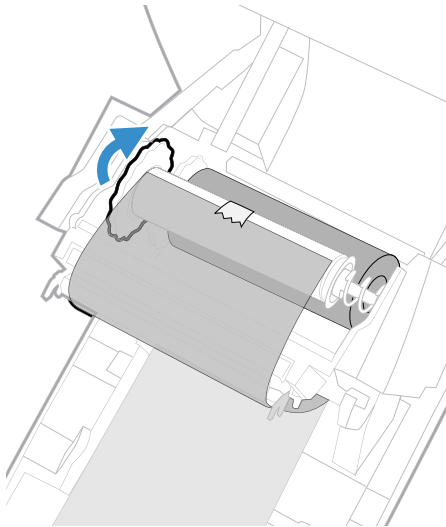
2. Place the takeup core between the front takeup core holders.



3. Attach the end of the ribbon to the takeup core.



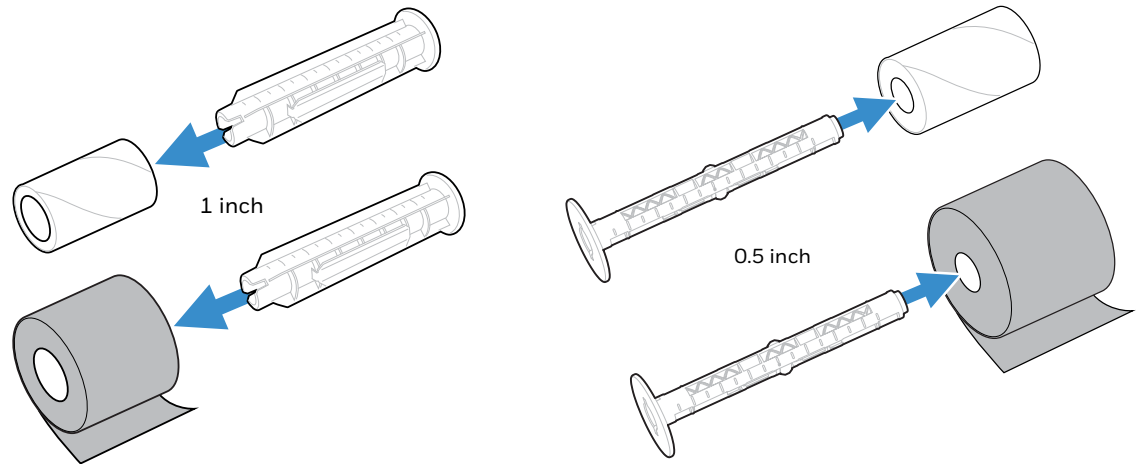
4. Turn the slack-wheel to take up slack in the ribbon.



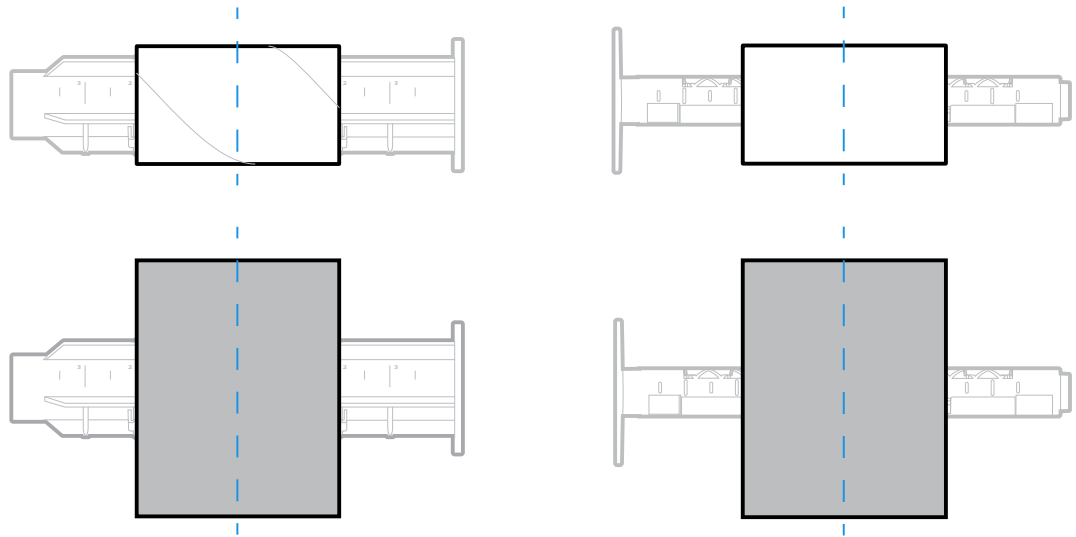
Notchless Ribbon Core Adapter

Use the optional ribbon core adapter to load media without notches in core.

1. Insert one adapter into the media core and one adapter into the takeup core.

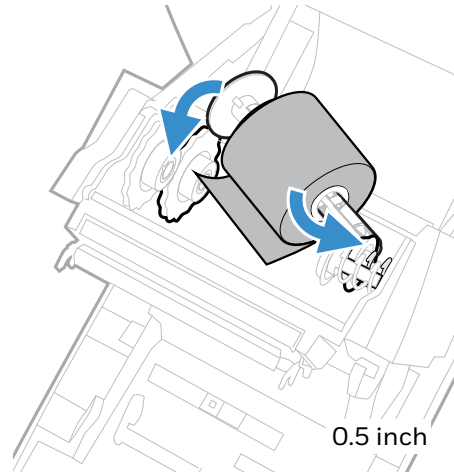
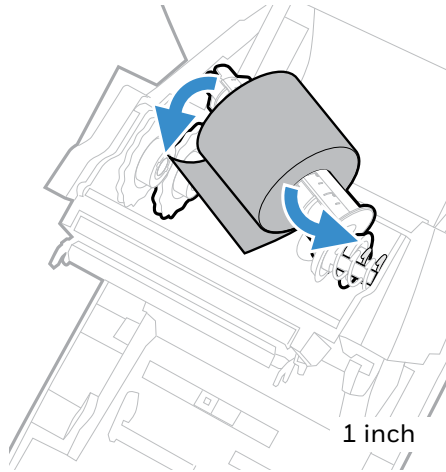


2. Center the media roll and takeup core on the adapter.

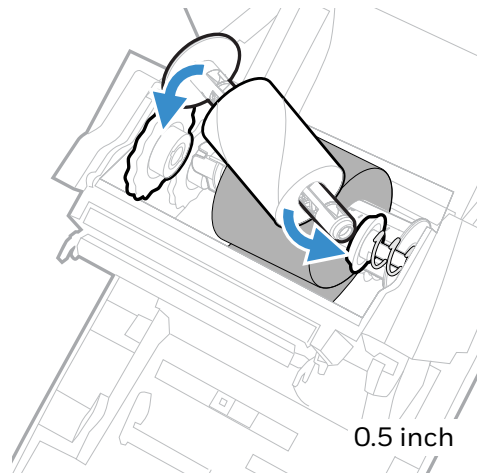
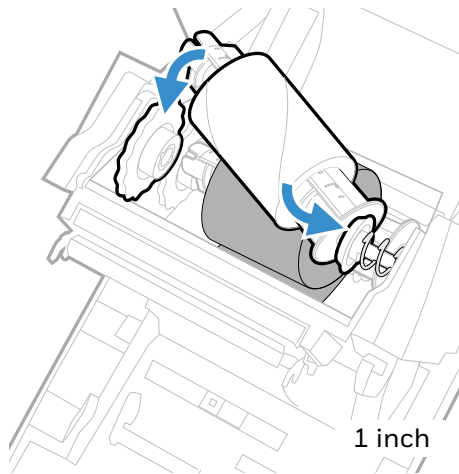


3. Press the release button and raise the print mechanism.

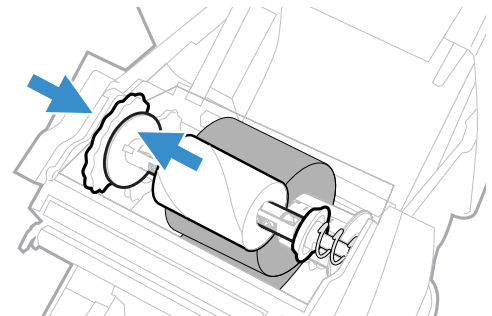
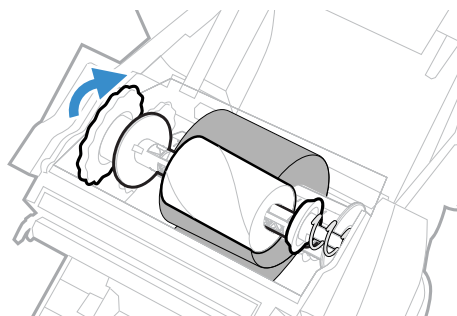
4. Place the ribbon roll and adapter into the rear media holders.



5. Place the takeup core and adapter between the front media holders.

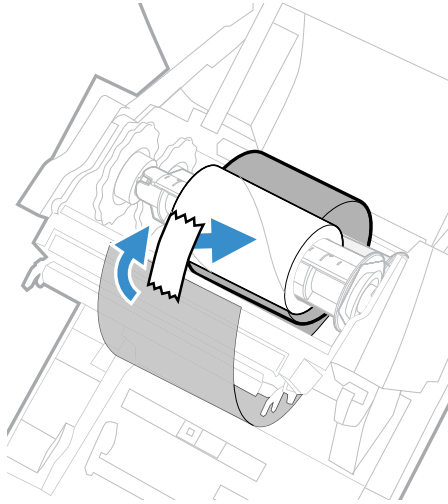


6. For 0.5 inch notchless ribbon core, turn the slack-wheel until the notchless ribbon core adapter aligns with the slack-wheel.

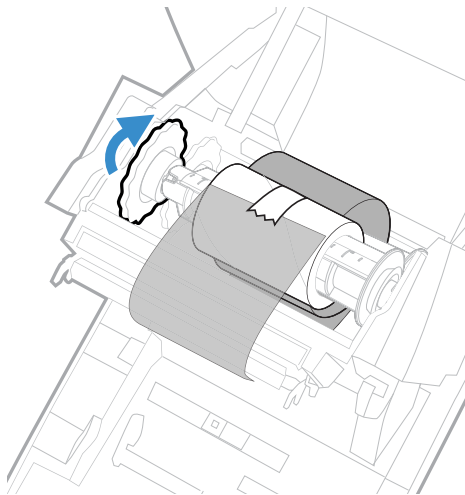


7. Route the ribbon under the print mechanism and up to the takeup core.

8. Attach ribbon to the takeup core.



9. Turn the slack-wheel to take up slack in the ribbon.



INSTALLING ACCESSORIES

This chapter describes how to install accessories on the printer.

Label Dispenser

The label dispenser accessory for the PC45 series printer self-strips the label and removes the liner from the self-adhesive label stock.

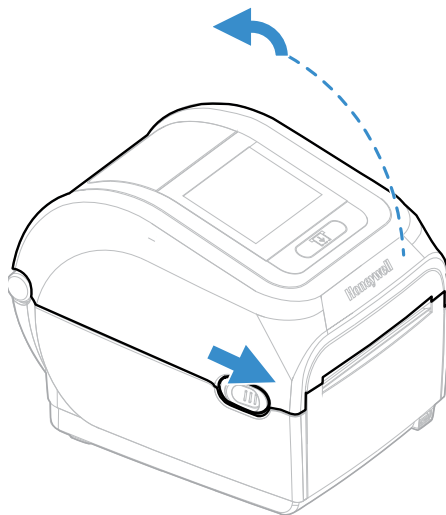
Out of the Box

- Label dispenser

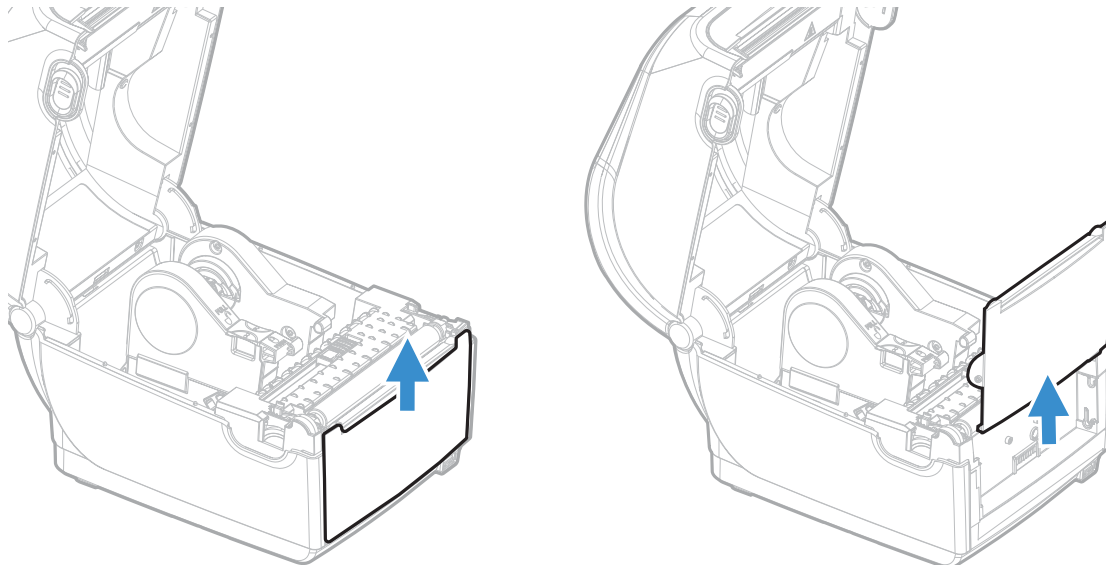
Installation

Note: This procedure applies to both the PC45d and PC45t printers. For simplicity, the PC45d printer is depicted in the illustrations.

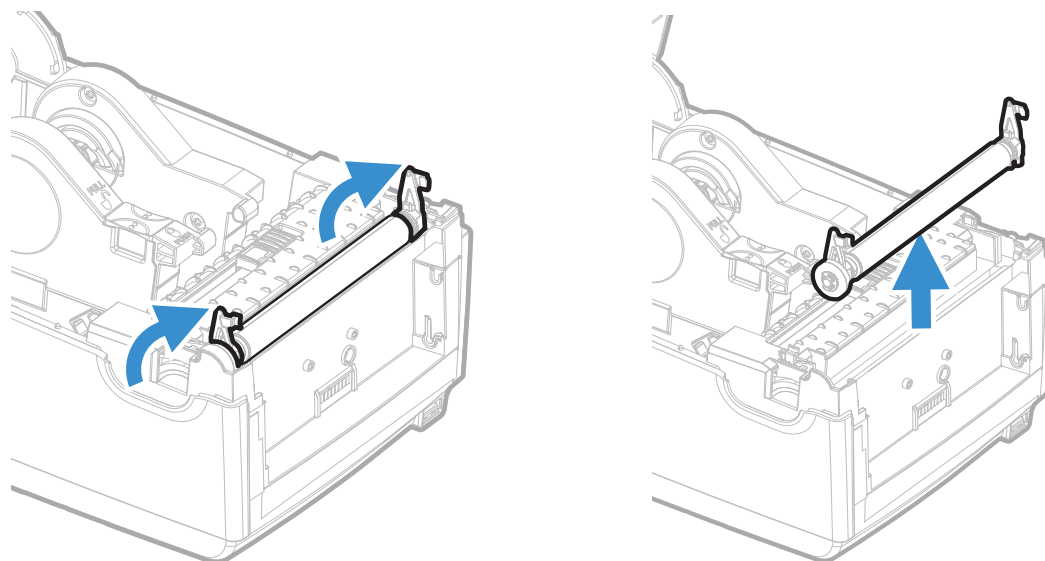
1. Open the media lid.



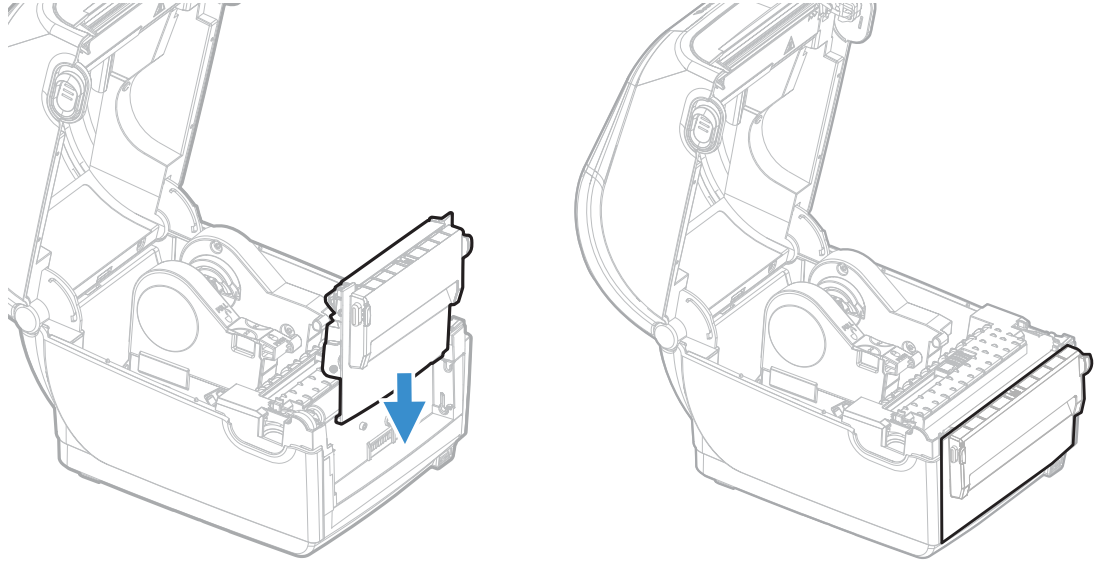
2. Slide the printer front door up and remove it from the printer.



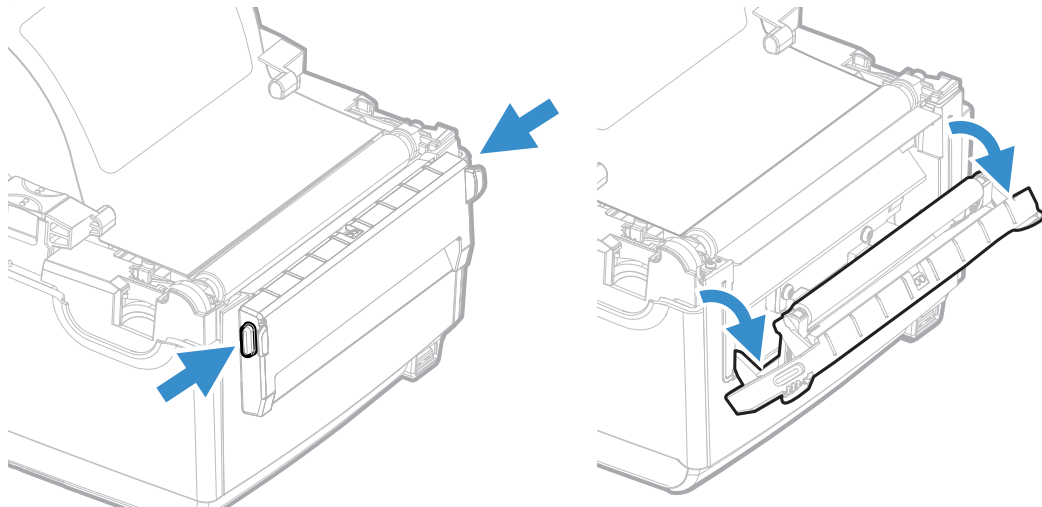
3. Press the platen roller latches apart and tilt them up to remove it from the printer.



- Slide the label dispenser down to the front of the printer until it locks in place.

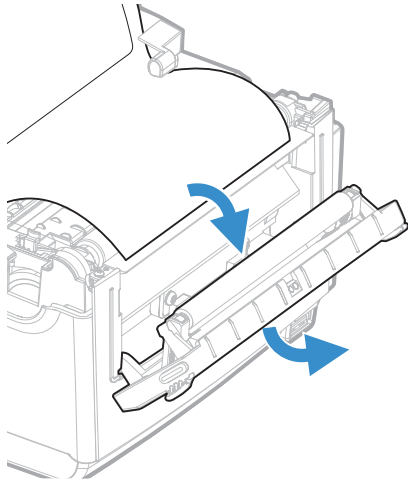


- Replace the platen roller.
- Load media (See [page 2](#)).
- Load Ribbon for PC45t printer (See [page 6](#)).
- Push in the buttons behind the tabs then press the tab forward to open the label dispenser front door.



- Remove the label closest to the end of the liner.

10. Route the liner through the slot in the front door of the label dispenser. Do not pull on the media to take up the slack. The liner should be over the roller in the printer and under the roller in the front door of the label dispenser.



11. Close the front door.
12. Close the printer lid until it snaps shut.
13. Turn the printer on and configure the feed adjust settings.

Cutter Module

The cutter module for PC45 series printer allows you to print on non-adhesive, continuous label stock.

Out of the Box

Use these instructions to install the cutter in the PC45 series printer. You will find the following items in the shipping box.

- Cutter Module

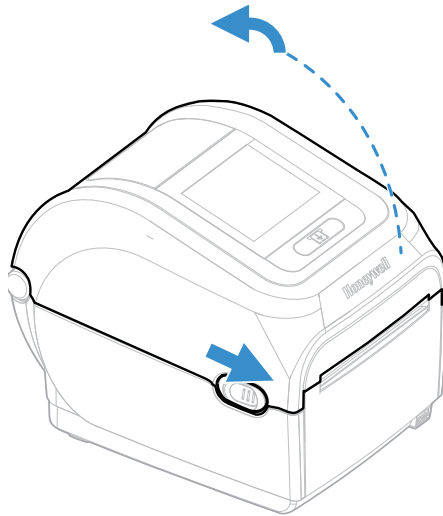
Note: This procedure applies to both the PC45d and PC45t printers. For simplicity, the PC45d printer is depicted in the illustrations.



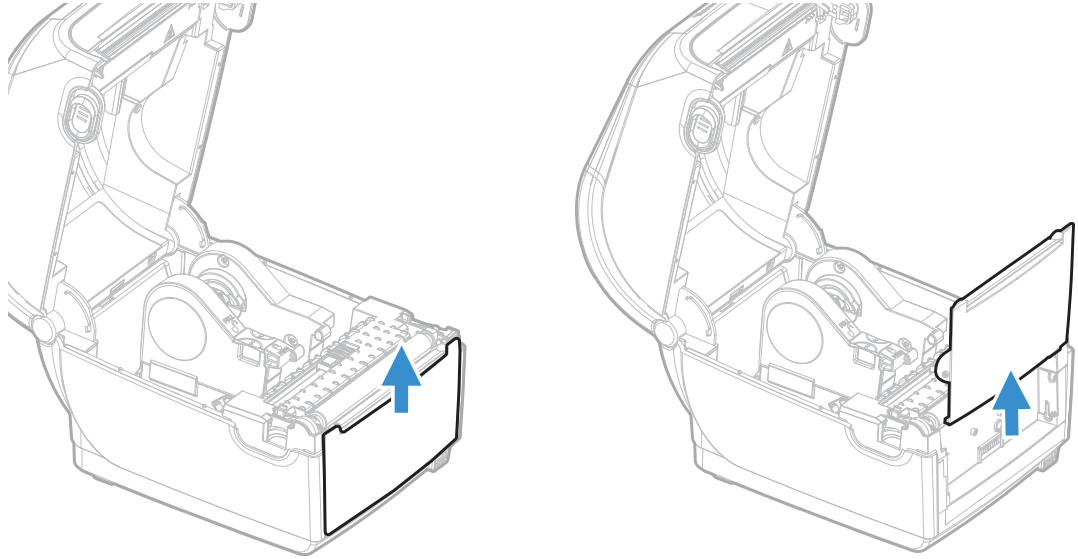
Warning: You must not use the cutter to cut through any kind of adhesive, or other soft material, that may stick to the cutting parts and render the cutter inoperable or even damage the electric motor.

Installation

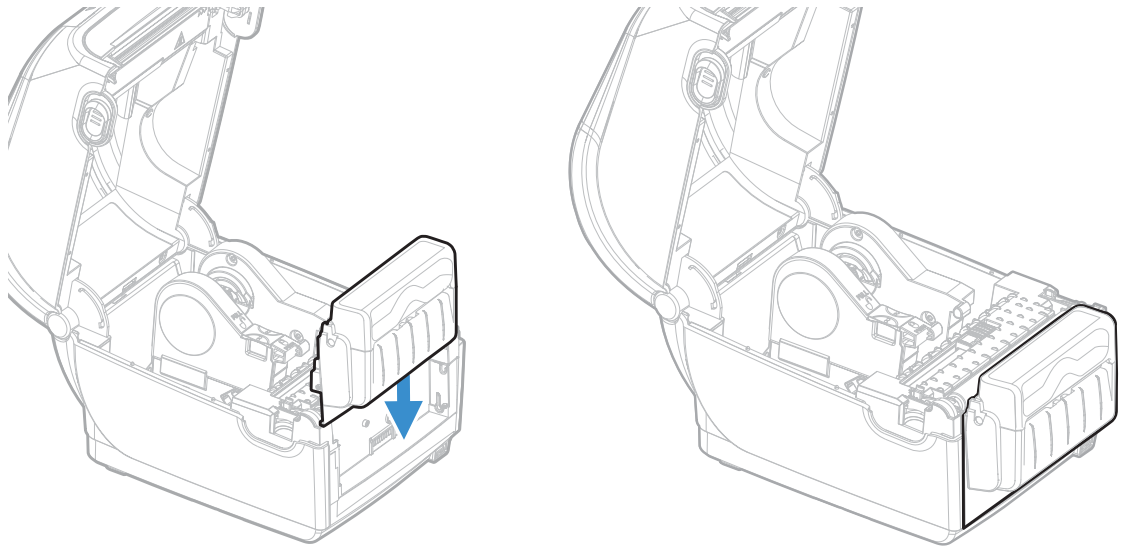
1. Open the media lid.



2. Slide the printer front door up and remove it from the printer.

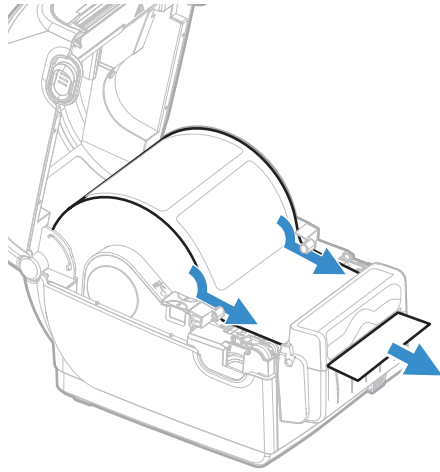


3. Slide the cutter module down to the front of the printer until it locks in place.



4. Load media (See [page 2](#))
5. Load Ribbon for PC45t printer (See [page 6](#))

6. Thread media into the slot in the cutter accessory and out through the front of the cutter.



7. Close the printer lid until it snaps shut.

Linerless Cutter Module

The PC45d printer supports linerless cutter for linerless media.

Out of the Box

Use these instructions to install the cutter in the PC45d printer. You will find the following items in the shipping box.

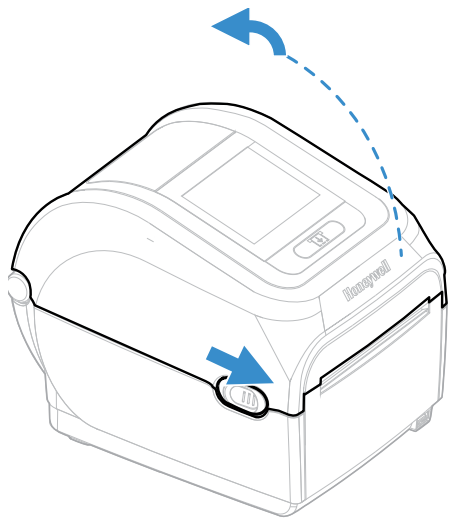
- Linerless Cutter



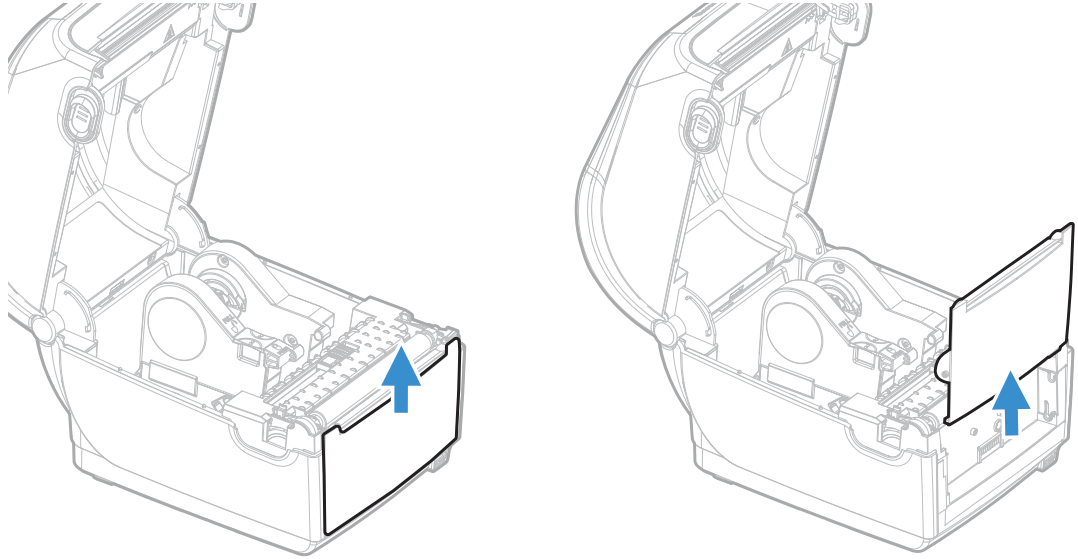
Warning: You must not use the cutter to cut through any kind of adhesive, or other soft material that may stick to the cutting parts and render the cutter inoperable or even damage the electric motor.

Installation

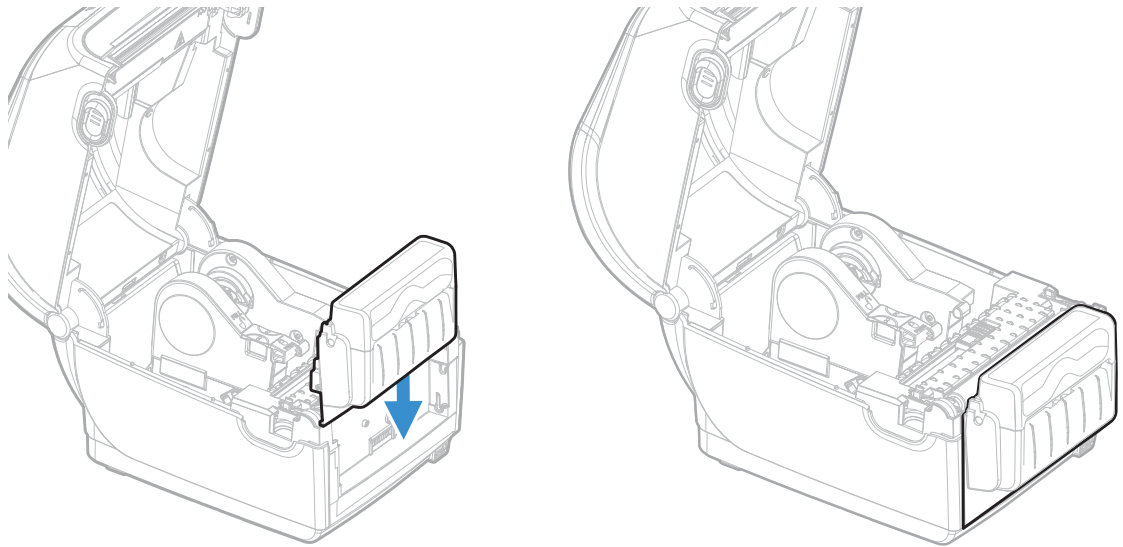
1. Open the media lid.



2. Slide the printer front door up and remove it from the printer.

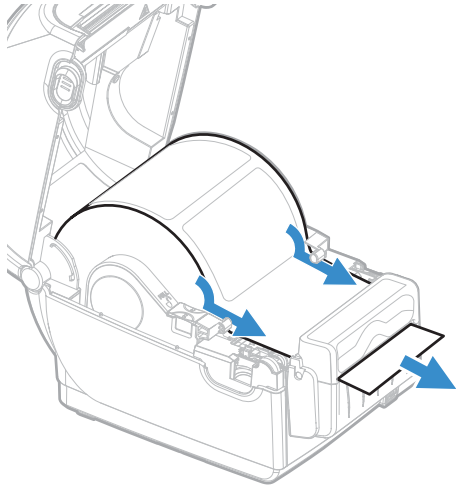


3. Slide the cutter module down to the front of the printer until it locks in place.



4. Load media (See [page 2](#)).

5. Thread media into the slot in the cutter accessory and out through the front of the cutter.



Cutter Tray

The cutter tray is used to hold the cut media. The cutter tray supports both Cutter and linerless cutter.

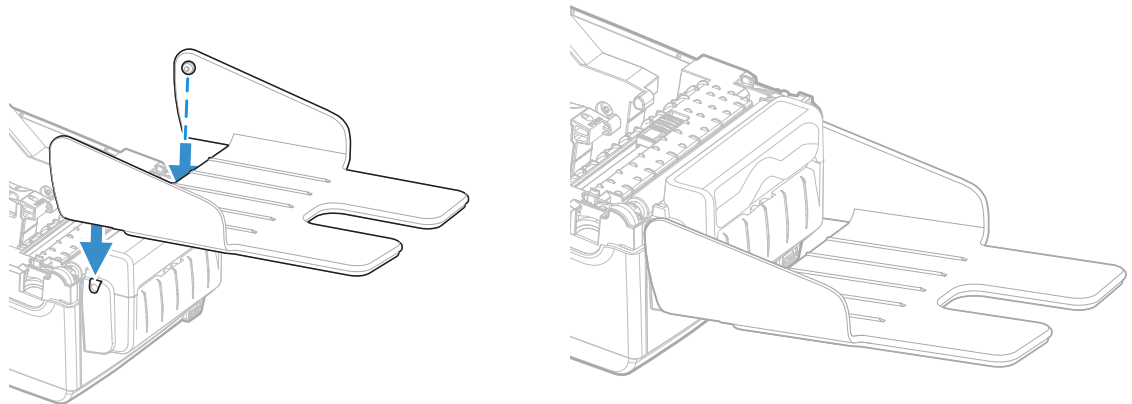
Out of the Box

Use these instructions to install the cutter tray in the PC45d and PC45t printer. You will find the following items in the shipping box.

- Cutter Tray

Installation

1. Slide the cutter tray onto the grooves on the cutter module.



External Media Holder

The PC45d and PC45t printer supports external media holder for larger rolls of media.

Note: *The Media Low warning does not function when the External Media Holder is installed.*

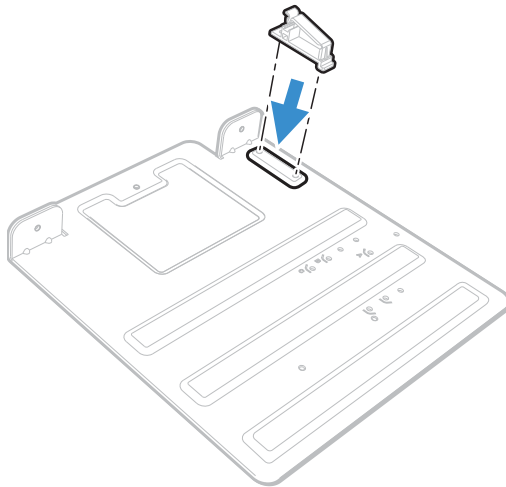
Out of the Box

Use these instructions to install the cutter in the PC45d printer. You will find the following items in the shipping box.

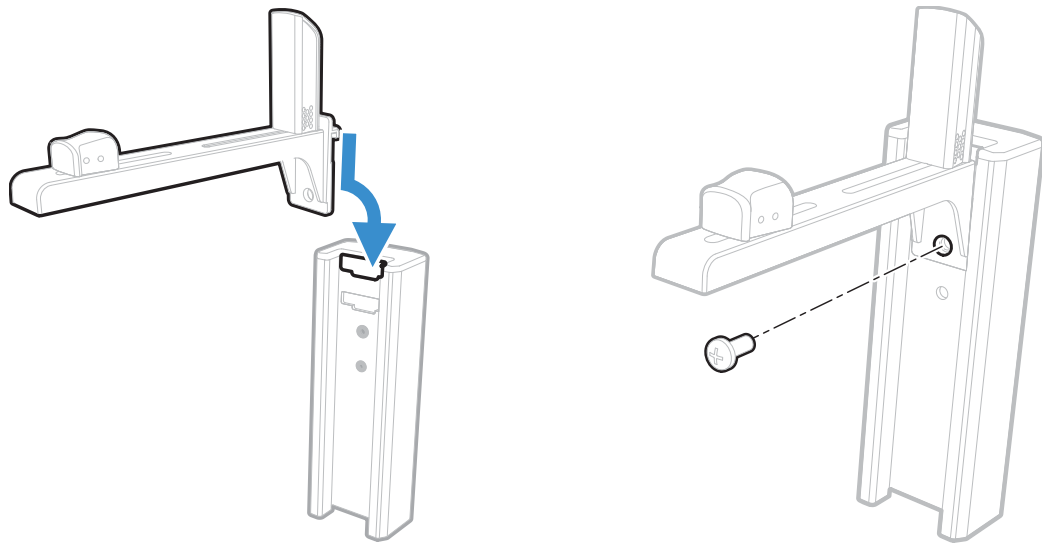
- External Media Holder
- Two Base plates
- One M6x8 Phillips head screw
- Six M3x8 Phillips head screws

Installation

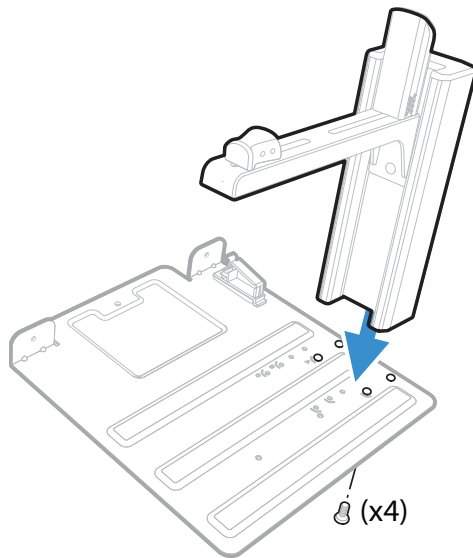
1. Affix the cable mount on the base plate.



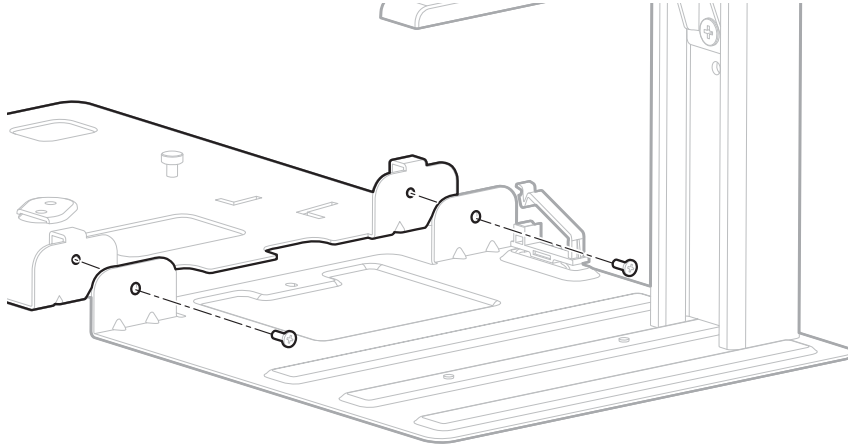
2. Insert the media arm guide onto the holder and secure it with the M6x8 Phillips head screw.



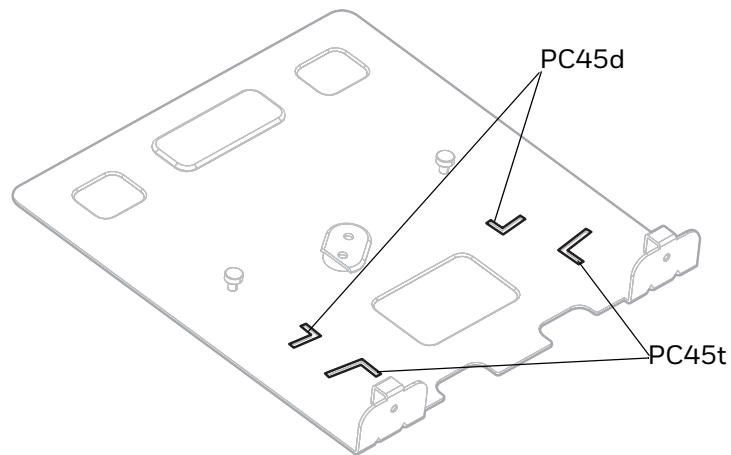
3. Secure the holder onto the base plate using four M3x8 Phillips head screws.



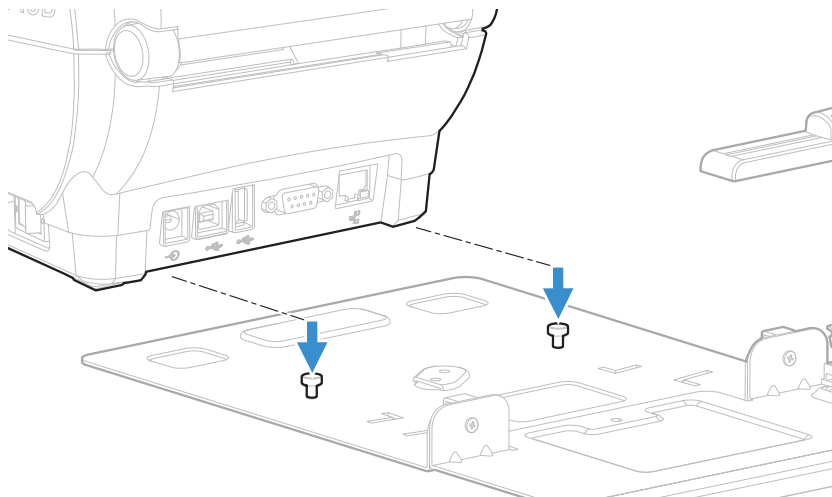
4. Align and secure the base plates together with two M3x8 Phillips head screws.



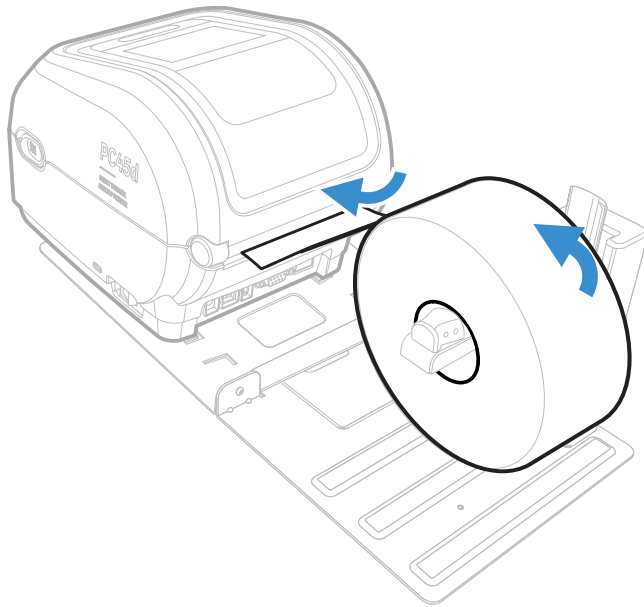
5. The printer alignment lines are provided on the base plate for reference.



6. Align the printer with the screws on the base plate. Insert and pull the printer forward to secure in place.



7. Load the larger roll media onto the holder and insert the media through the external media slot on the printer.



8. Place an empty paper core on the media holder. Thread the media on top of the empty core and media guides as you would for the media installed inside the printer.

Wi-Fi/Bluetooth Module

The Wi-Fi/BT accessory for the PC45 series printer allows you to communicate with the printer wirelessly. Use the installation procedure to carefully install the module.

Out of the Box

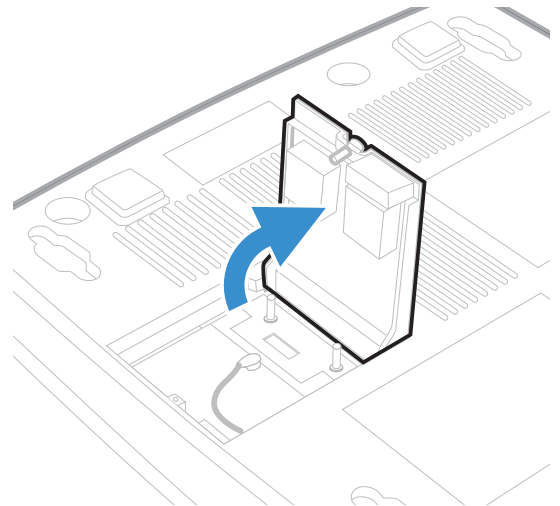
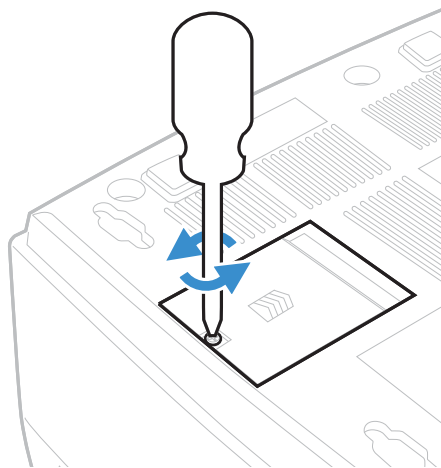
- Wi-Fi/BT module with Antenna
- NFC tag sticker

Installation

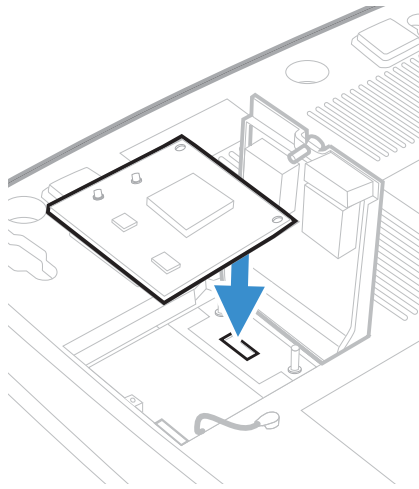
Note: This procedure applies to both the PC45d and PC45t printers. For simplicity, the PC45d printer is depicted in the illustrations.

You will require a cross tip screwdriver to install the Wi-Fi/BT module.

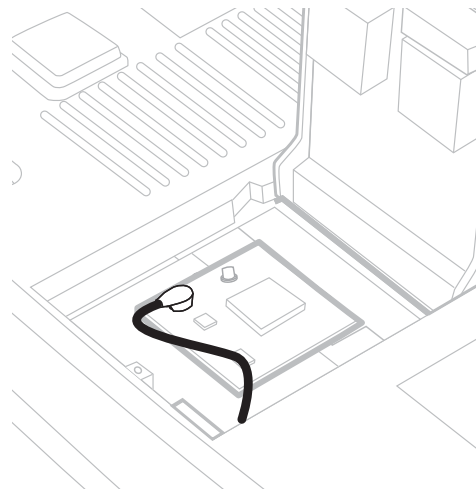
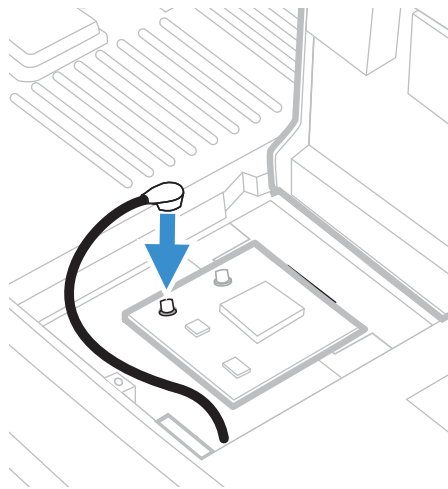
1. Turn off the printer and remove all the power cables.
2. Turn the printer upside down onto a clean surface.
3. Use the cross tip screwdriver to unscrew the slot door of the Wi-Fi/BT module.



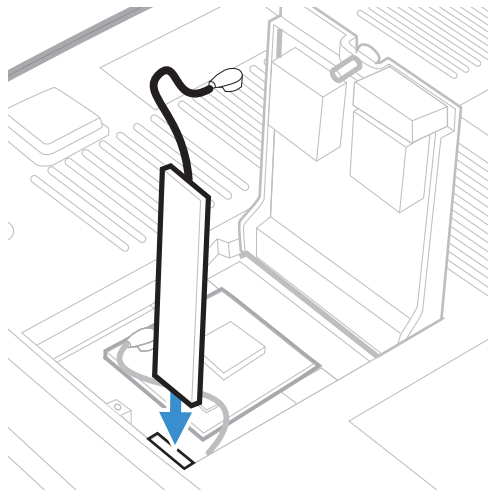
4. Move the U.FL cable from the printer aside and place the Wi-Fi/BT module onto the PCB.



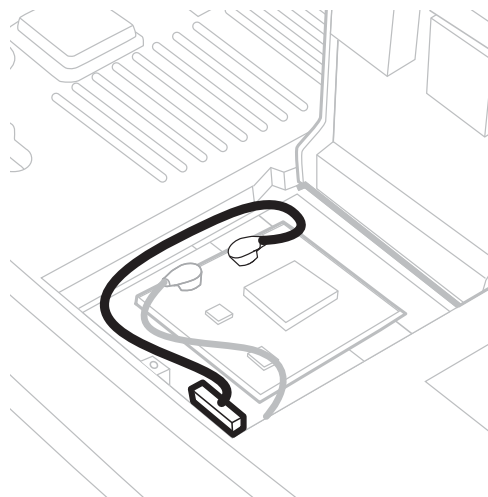
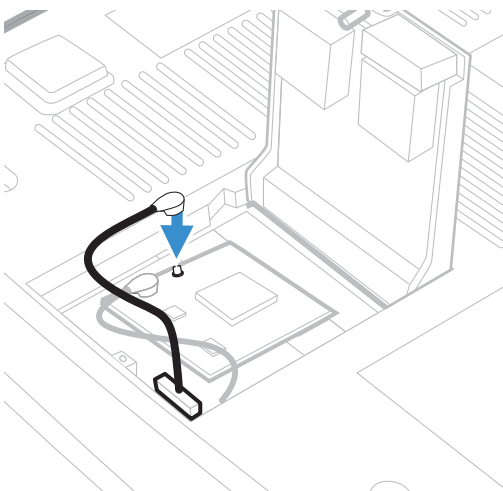
5. Connect the U.FL cable from the printer to the first U.FL connector.



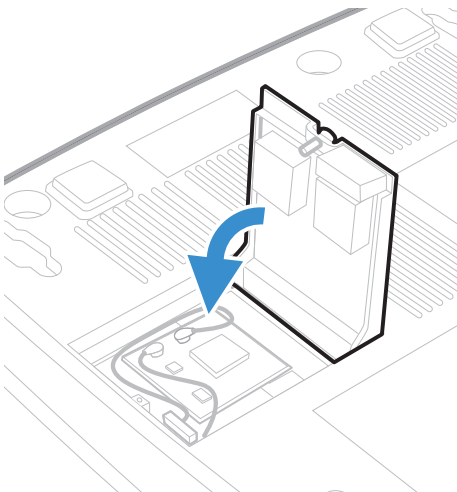
6. Insert the Wi-Fi/BT antenna in the antenna slot.



7. Connect the U.FL cable from the Wi-Fi/BT antenna to the second U.FL connector.

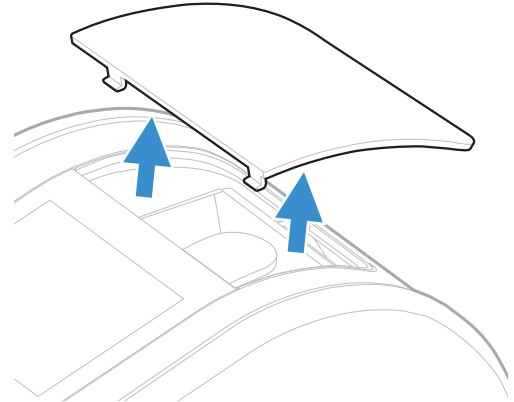
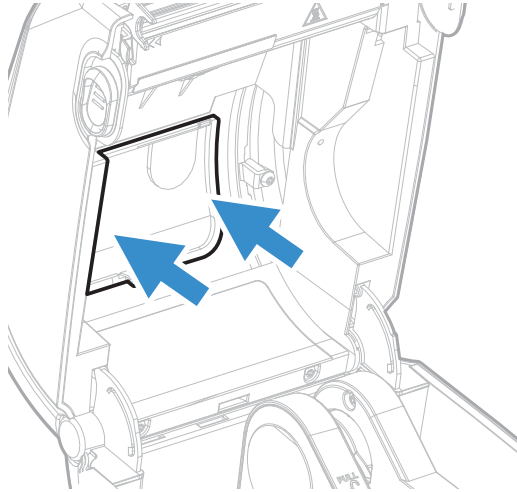


8. Close the Wi-Fi/BT module slot door.

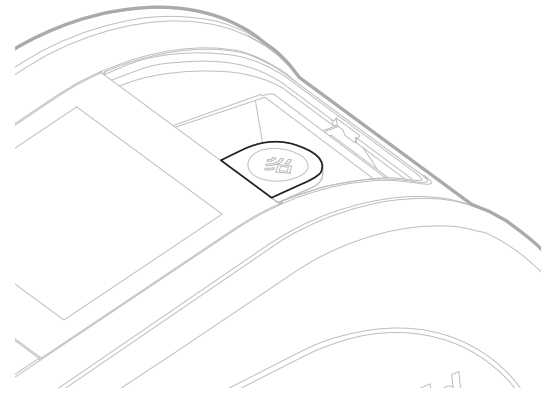
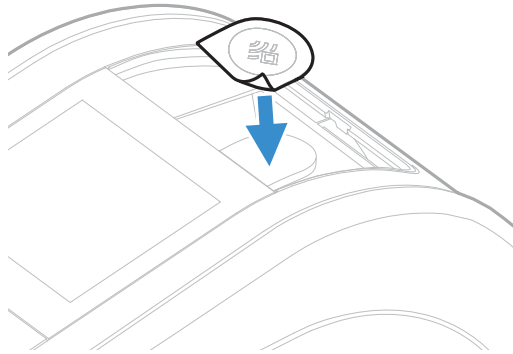


NFC Tag Installation

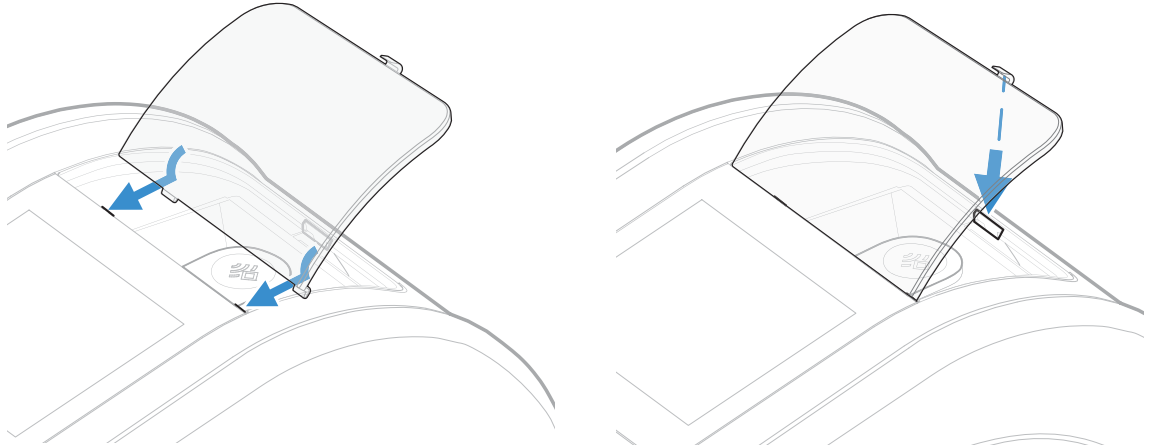
1. Push the media window from the inside of the printer lid and gently remove it. Apply force in the upper part of the media window. This piece has less resistance than the hooks section.



2. Peel the NFC tag sticker and stick on the dedicated tag position.



3. Replace the media window.



Thermal Printhead

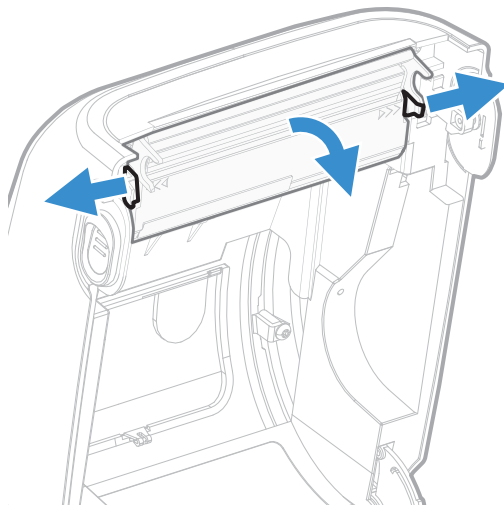
The thermal printhead for PC45 series printers is available in 203 and 300 dpi. The installation procedure is same for all the printer models.

Out of the Box

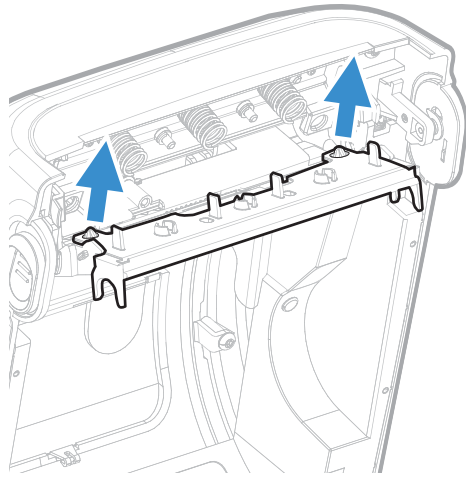
- Thermal printhead

Installation

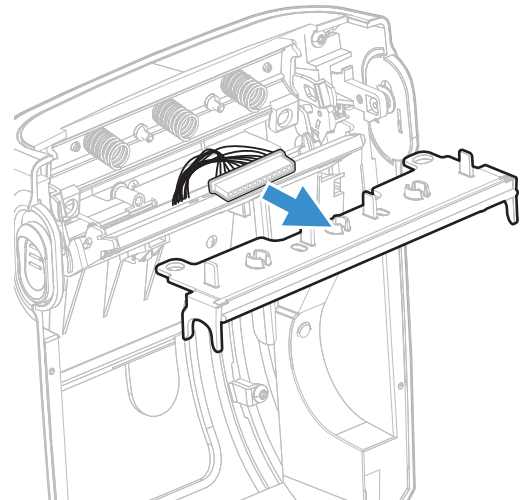
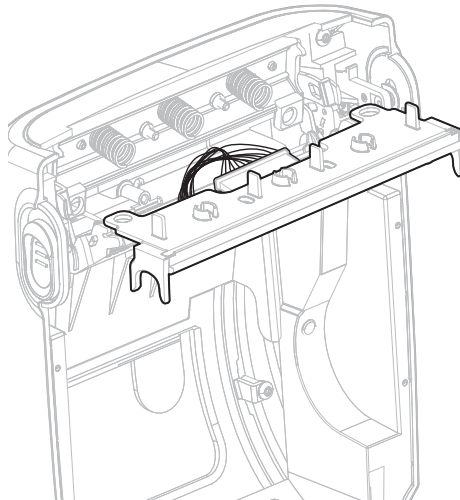
1. Turn off the printer and disconnect the power cord.
2. Pull one or both of the printer latches toward the front of the printer and lift the printer lid.
For thermal transfer printer, remove the ribbon.
3. Press the printhead latches apart until the existing printhead slides forward.



- Carefully slide the printhead out of the mechanism. The printhead is still attached to the mechanism by a ribbon cable.

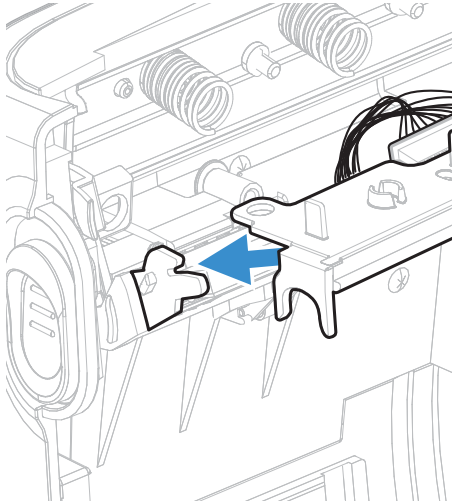


- Detach the magnetic pressure arm from the printhead bracket and disconnect the two cables from the existing printhead as you remove it from the printer.

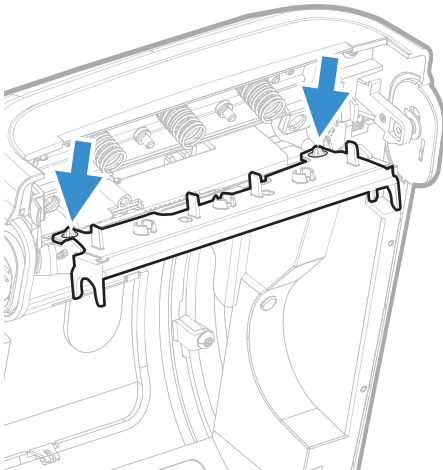


- Connect the ribbon cable to the new printhead.

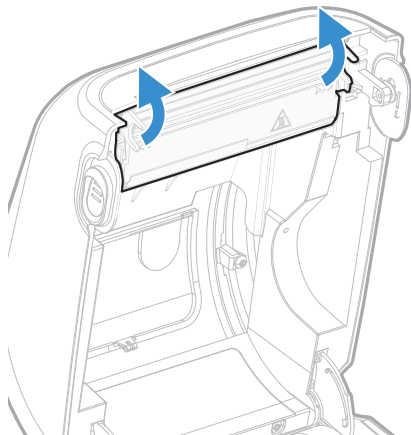
7. Slide the printhead into the holders in the print mechanism.



8. Press the printhead onto the locator pins in the mechanism.



9. Tilt the printhead up into the printer lid and press it into place. When the printhead is in correct position, the printhead latches snap into place on the sides of the printhead.



Heavier Spring

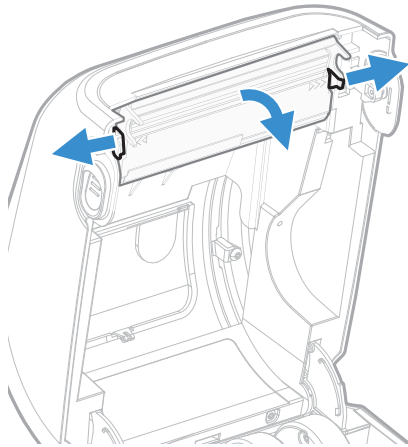
The heavier spring accessory for the PC45 printer series is to support thicker media types.

Out of the Box

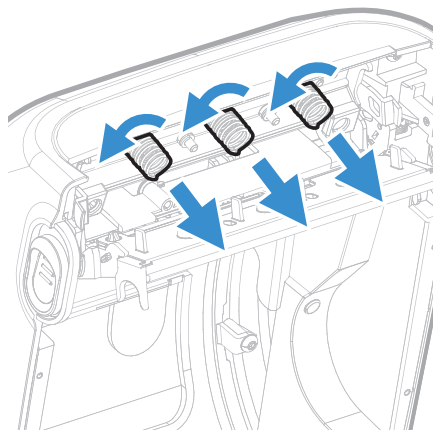
- Heavier spring 3 nos.

Installation

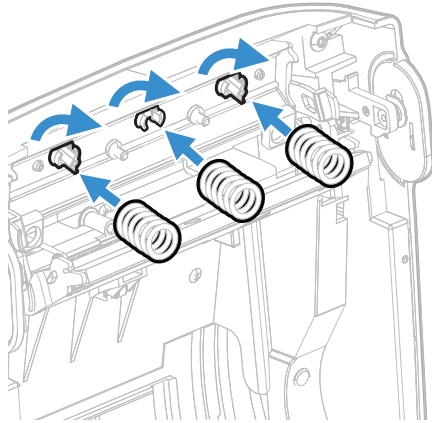
1. Turn off the printer and disconnect the power cord.
2. Pull one or both of the printer latches toward the front of the printer and lift the printer lid. For thermal printer, remove the ribbon.
3. Press the printhead latches apart until the existing printhead slides forward.



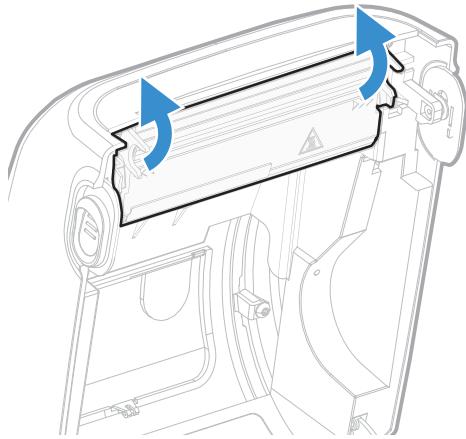
4. Rotate the existing spring counterclockwise and remove it from the printhead mechanism.



5. Insert the heavier spring onto the spring holder and rotate clockwise to secure in place.

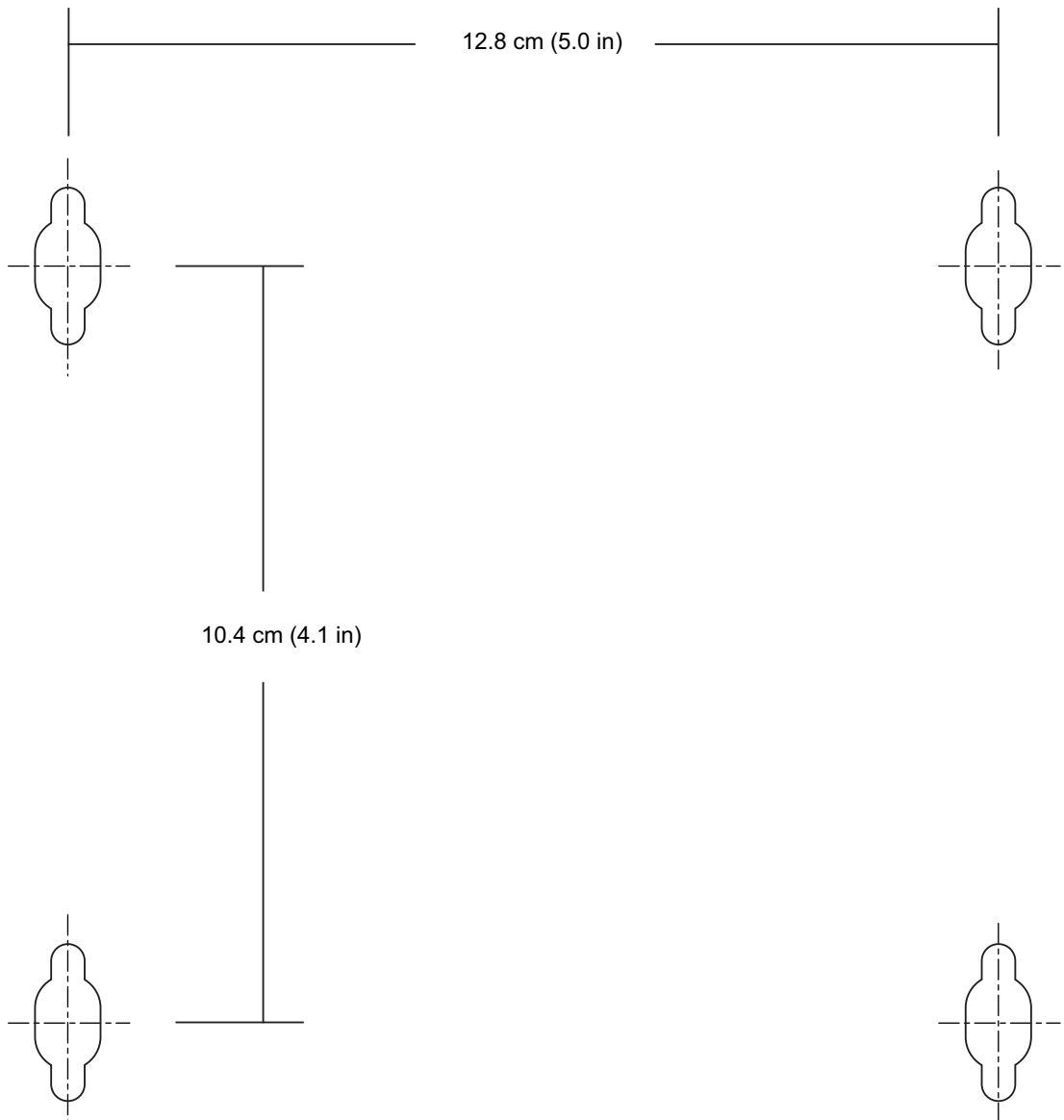


6. Tilt the printhead up into the printer lid and press it into place.



WALL MOUNTING TEMPLATE

PC45 Wall Mounting Template



Mount Printer on a Wall

Printers can be mounted vertically on a wall or other surface. The printer must be mounted so the media output slot faces down. Use the following guidelines for selecting a mounting location:

- Choose a location within 1.5 m (5 ft) of an electrical outlet.
- Choose appropriate mounting hardware (not supplied) for the mounting surface.
- The mounting hardware must provide at least 6 mm (0.25 in) of clearance between the mounting surface and the bottom of the screw head. The screw head width should be 6 to 8 mm (0.24 to 0.33 in).
- Honeywell recommends that you use pan-head or flathead screws with appropriate anchors for drywall, or for cement, concrete block, or plasterboard walls. Use wood screws only for wooden surfaces, and ensure the screw is long enough to be sunk to a depth of at least 12.5 mm (0.5 in).



Caution: Ensure the mounting surface can safely support the weight of the printer.

Do not mount the equipment at a height greater than 2m (6.5 ft.)

1. Use the wall mount template to locate and drill holes in the mounting surface.

Note: *For mounting on wooden surfaces, use a drill of 5 to 8mm (0.2 to 0.3 in), or as appropriate for your mounting hardware.*

2. Install the mounting hardware. If you need to use anchors, install them first.
3. Place the printer mounting holes on the mounting hardware and slide the printer down to lock it in place.

Honeywell
855 S. Mint Street
Charlotte, NC 28202

www.sps.honeywell.com